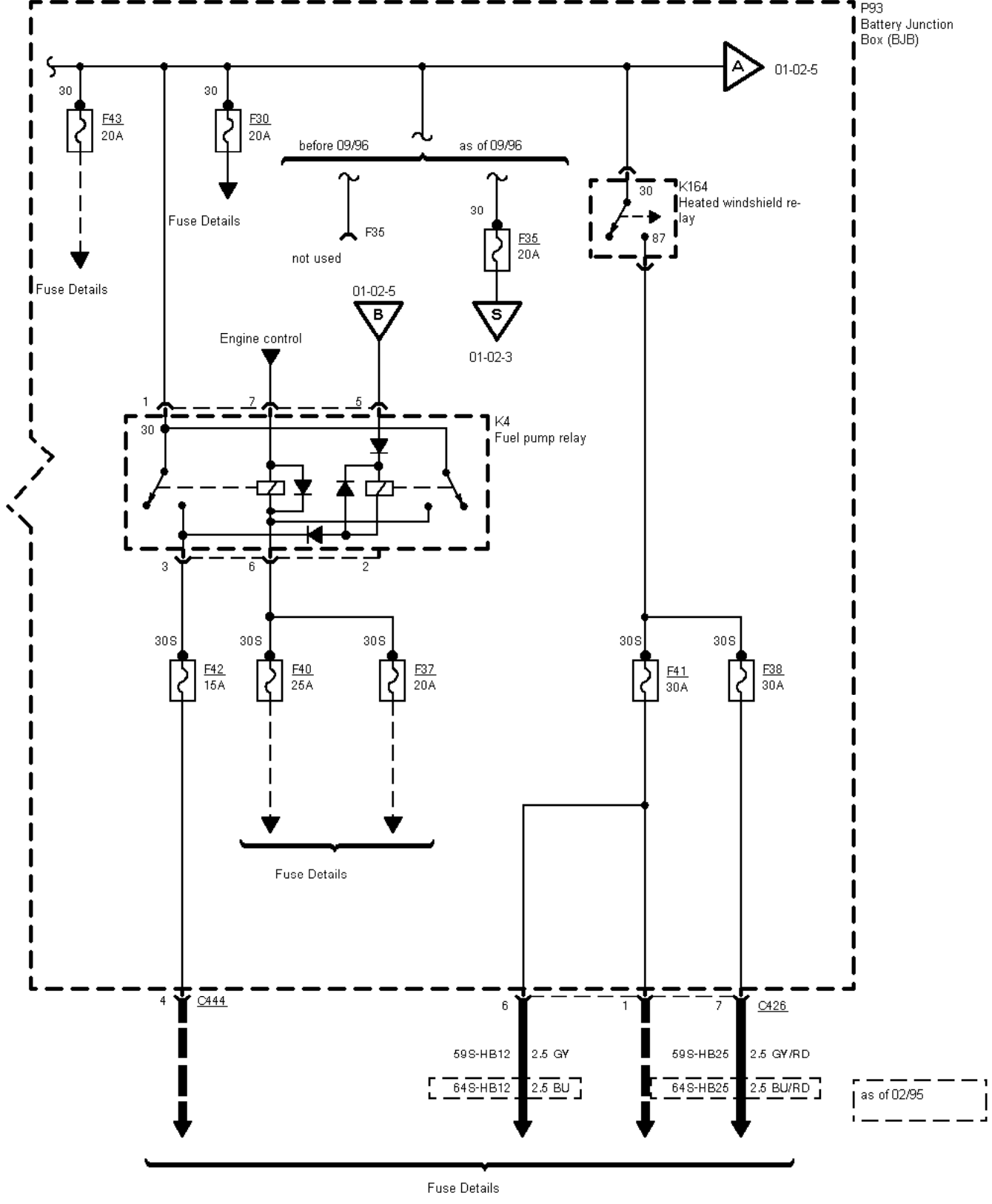


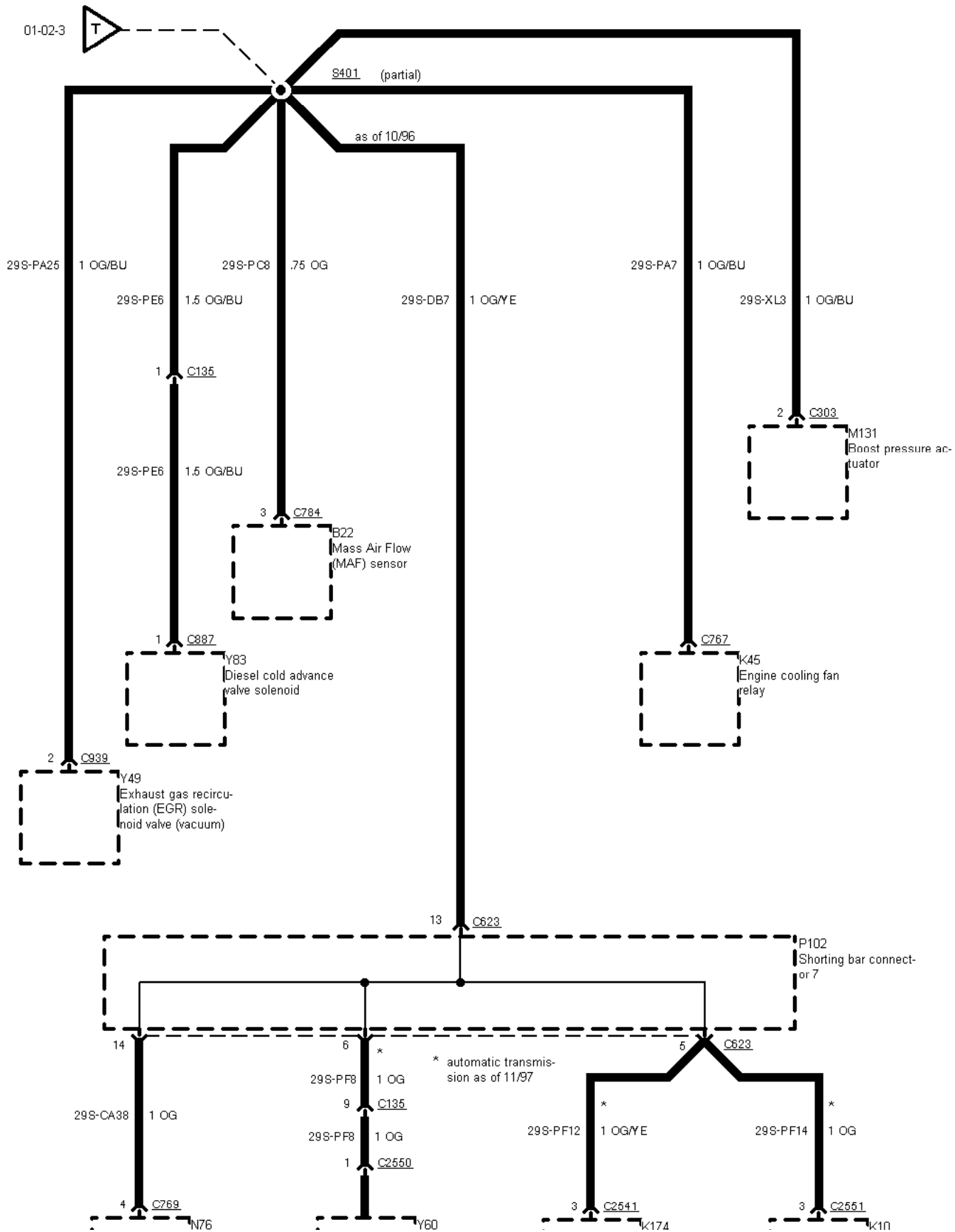
P93
Battery Junction
Box (BJB)

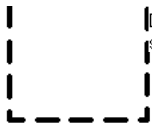


01-02-003 , Power Distribution , TCI Diesel as of 09/96

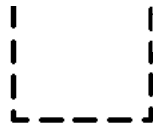


01-02-004 , Power Distribution , TCI Diesel as of 09/96





Dual pressure switch



Transmission load solenoid

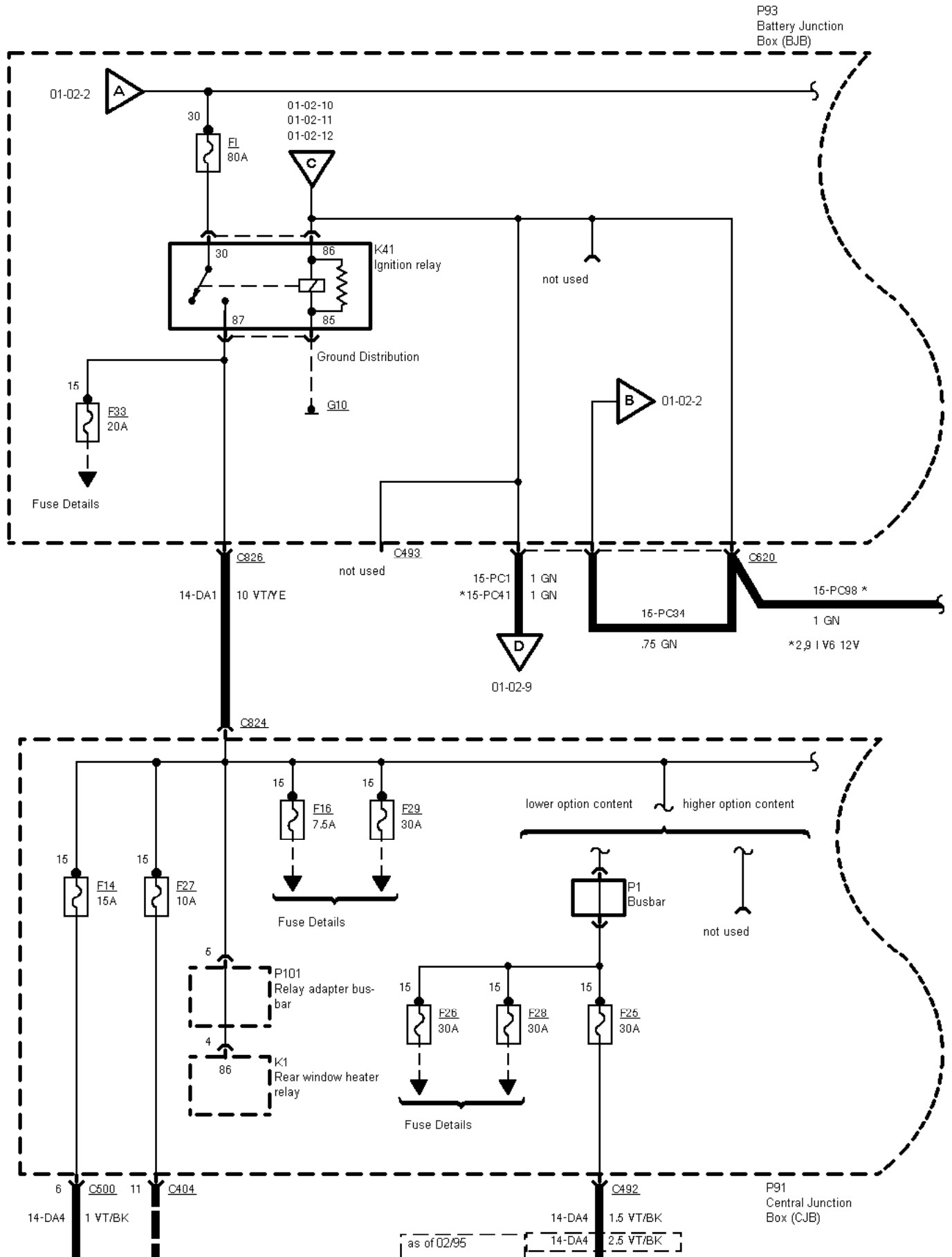


Kickdown hold relay



Kickdown relay

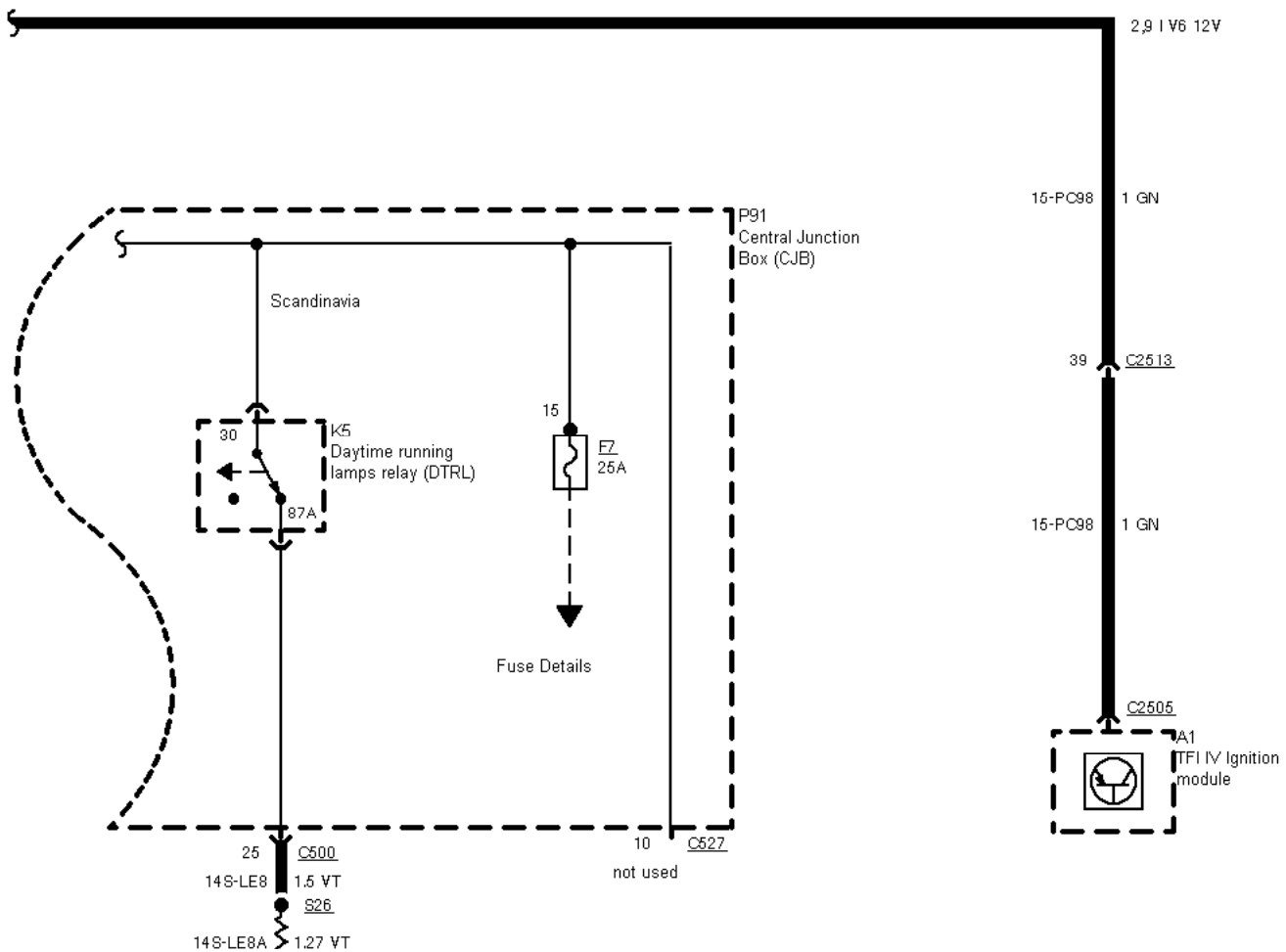
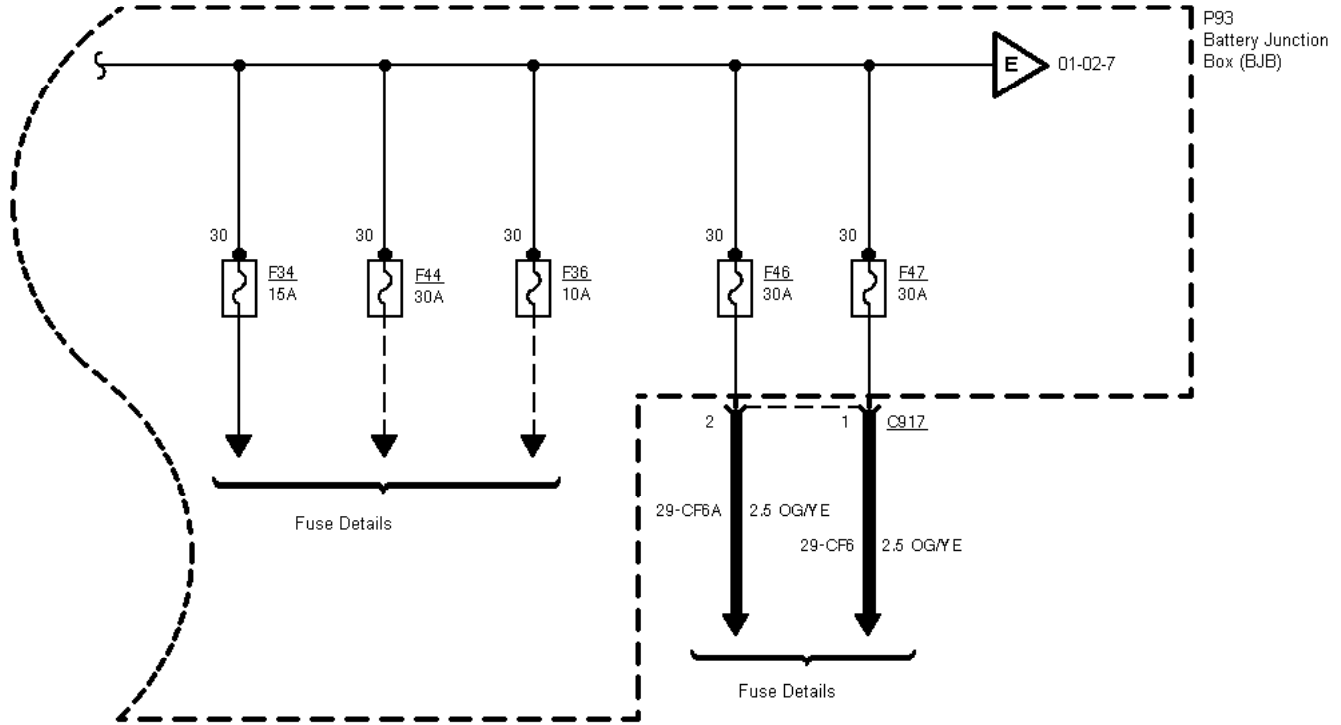
01-02-005 , Power Distribution





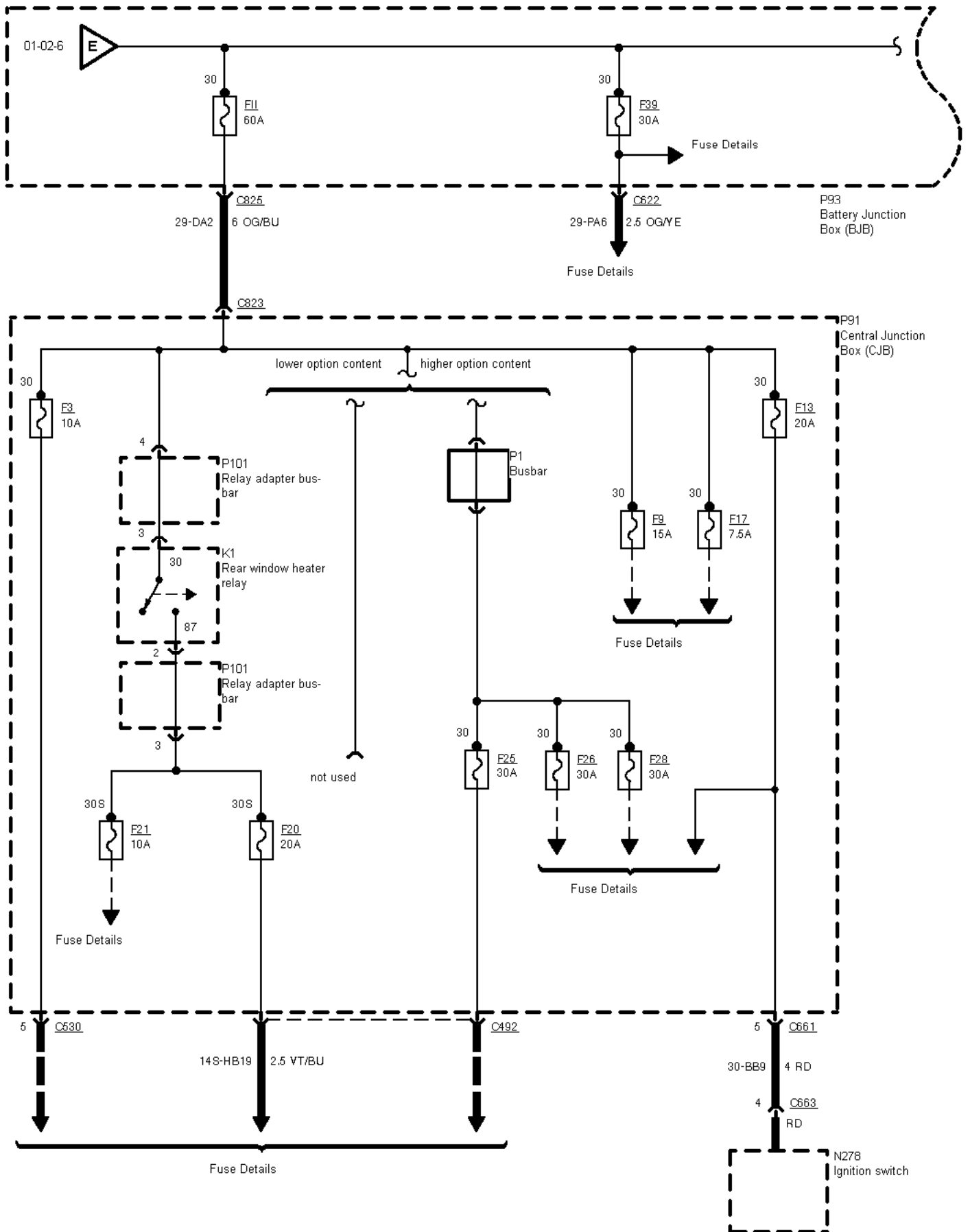
Fuse Details

01-02-006 , Power Distribution

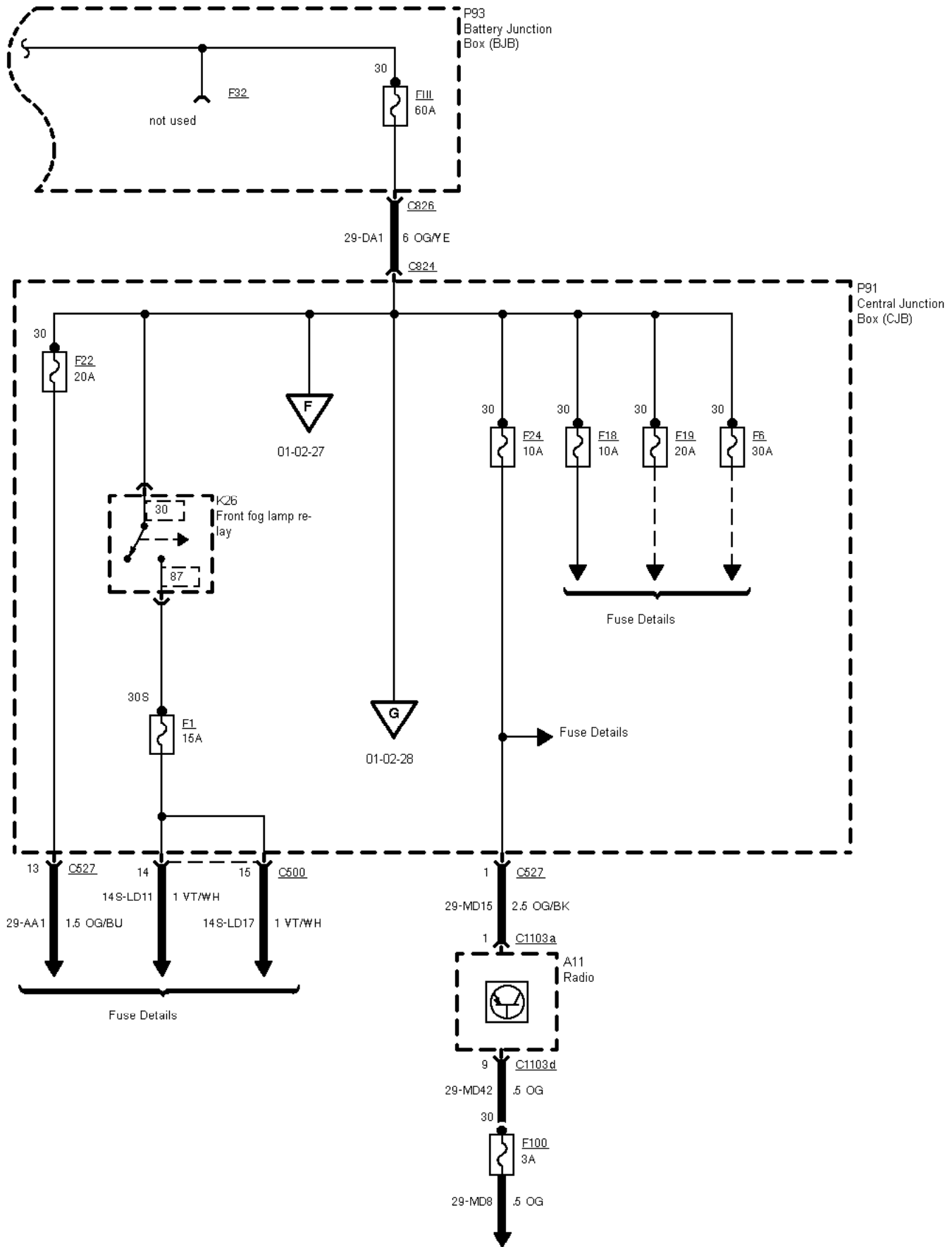




01-02-007 , Power Distribution

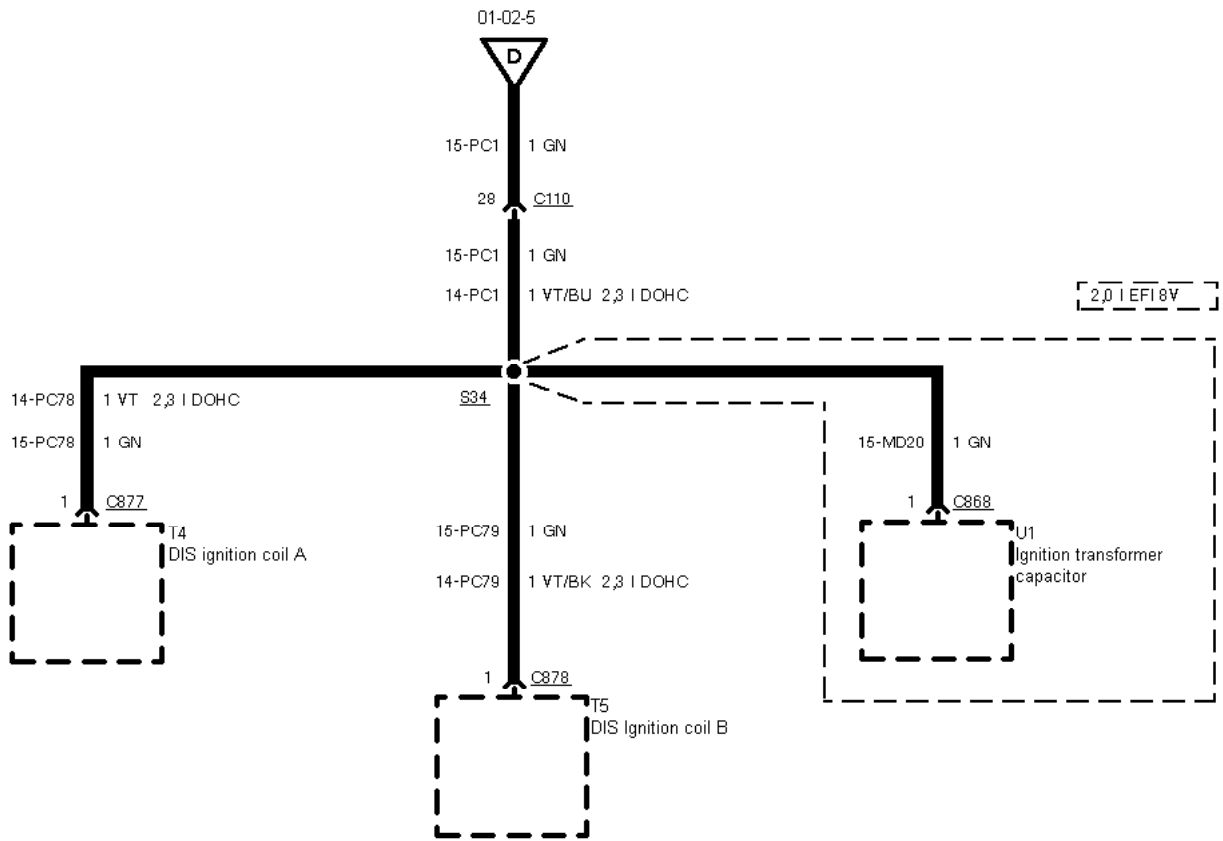


01-02-008 , Power Distribution

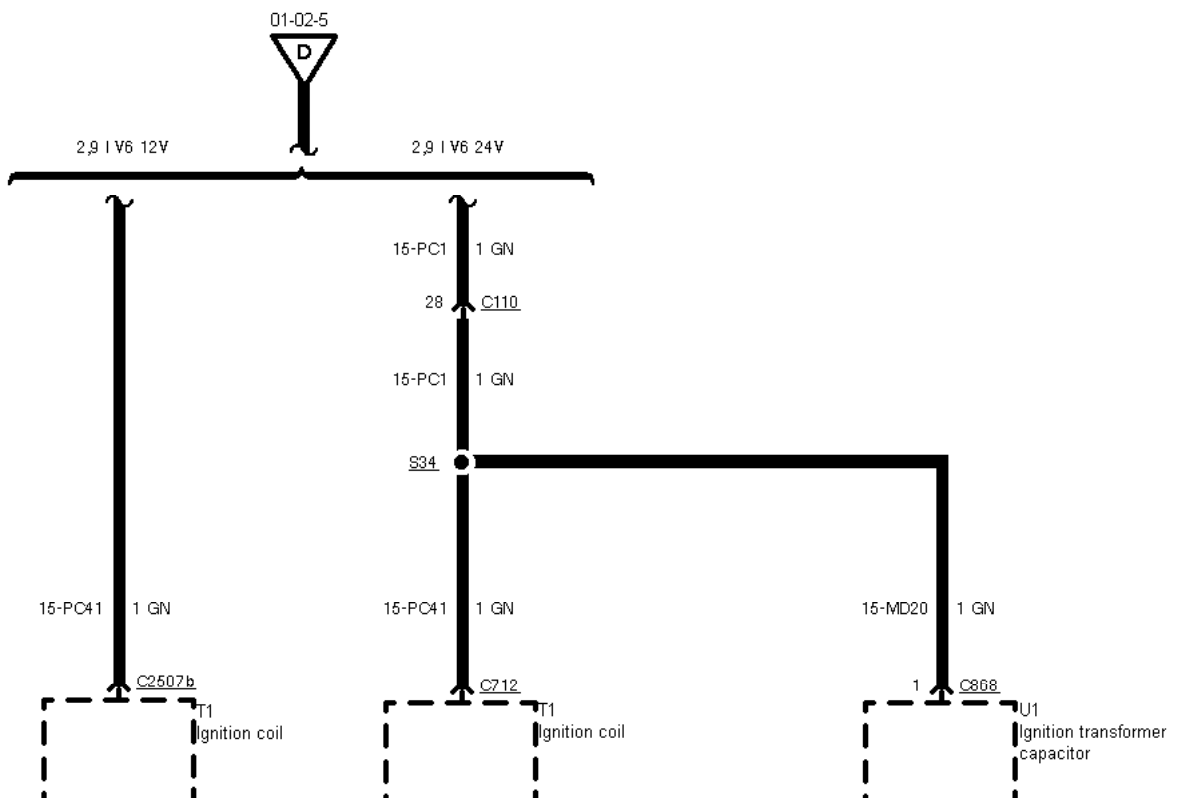


01-02-009 , Power Distribution

2,0 L EFI, 2,3 L DOHC



2,9 L V6



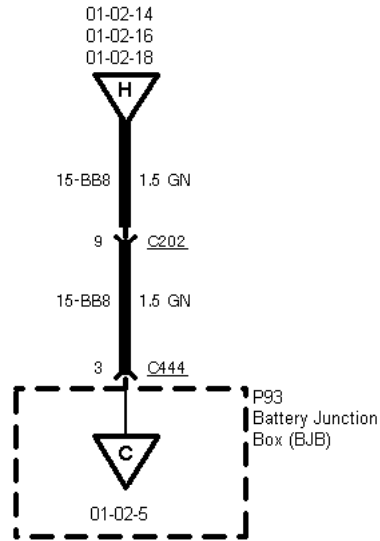
L - - - J

L - - - J

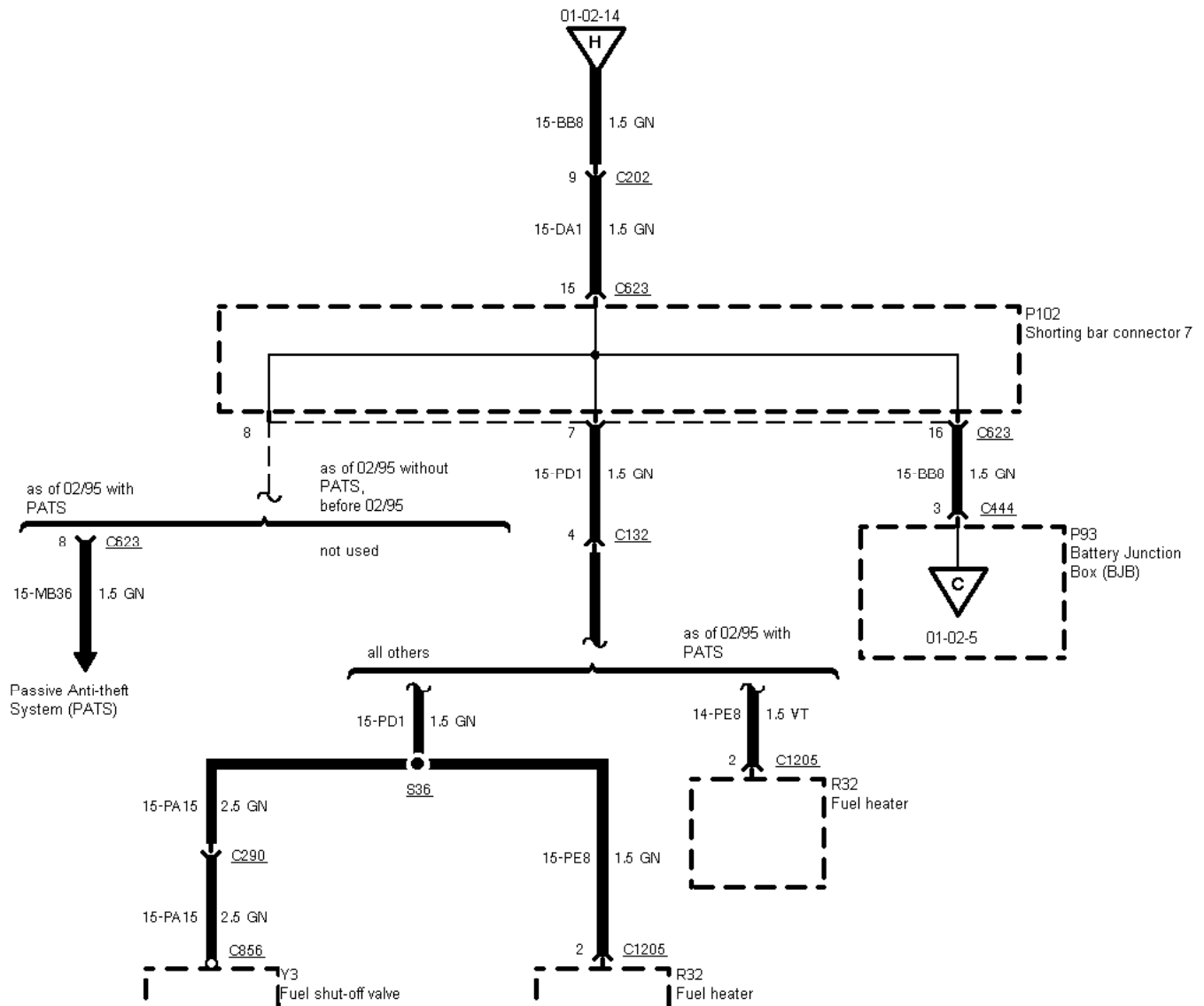
L - - - J

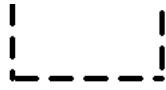
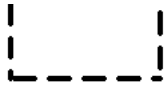
01-02-010 , Power Distribution

Petrol

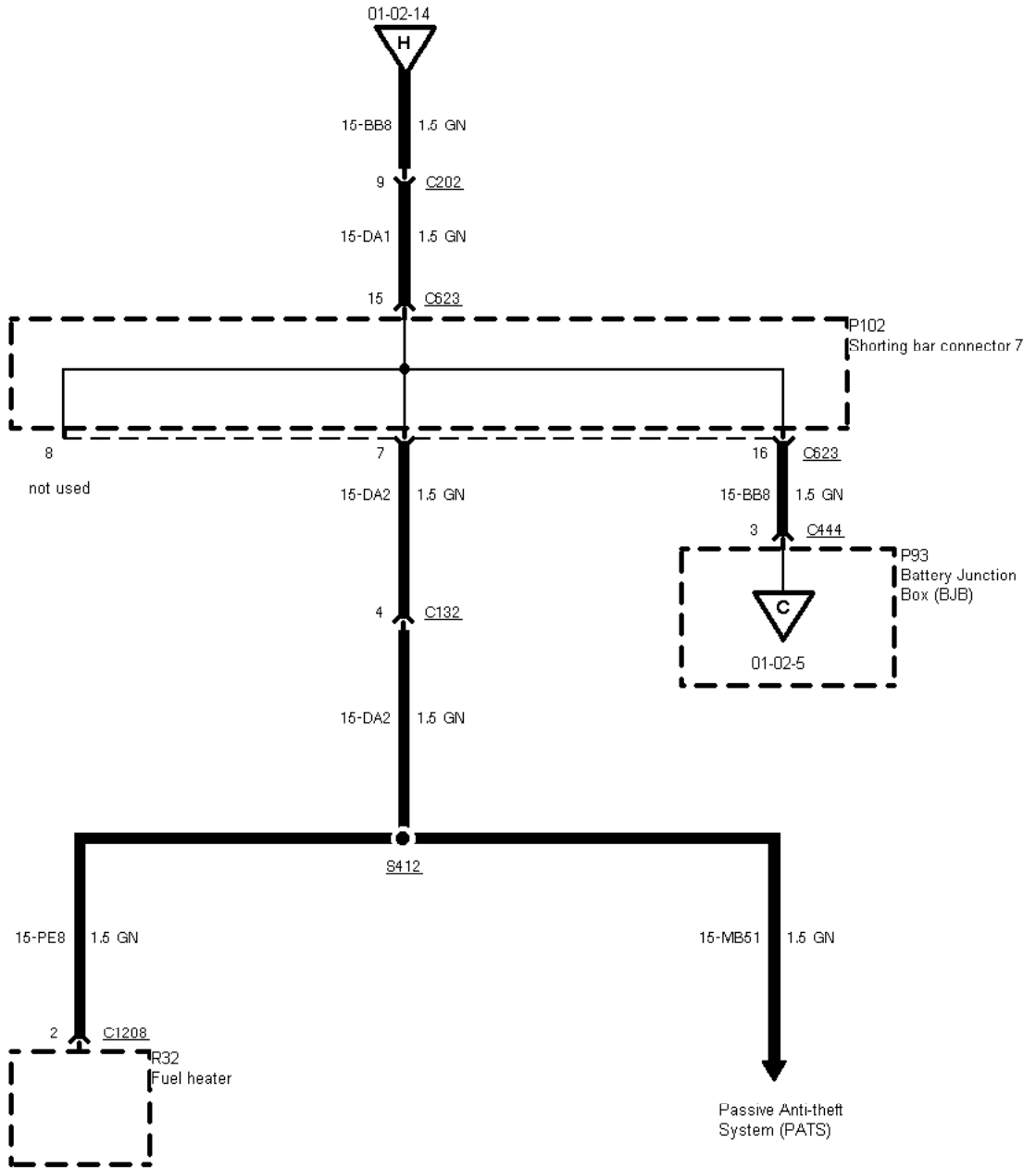


TCI Diesel before 03/96

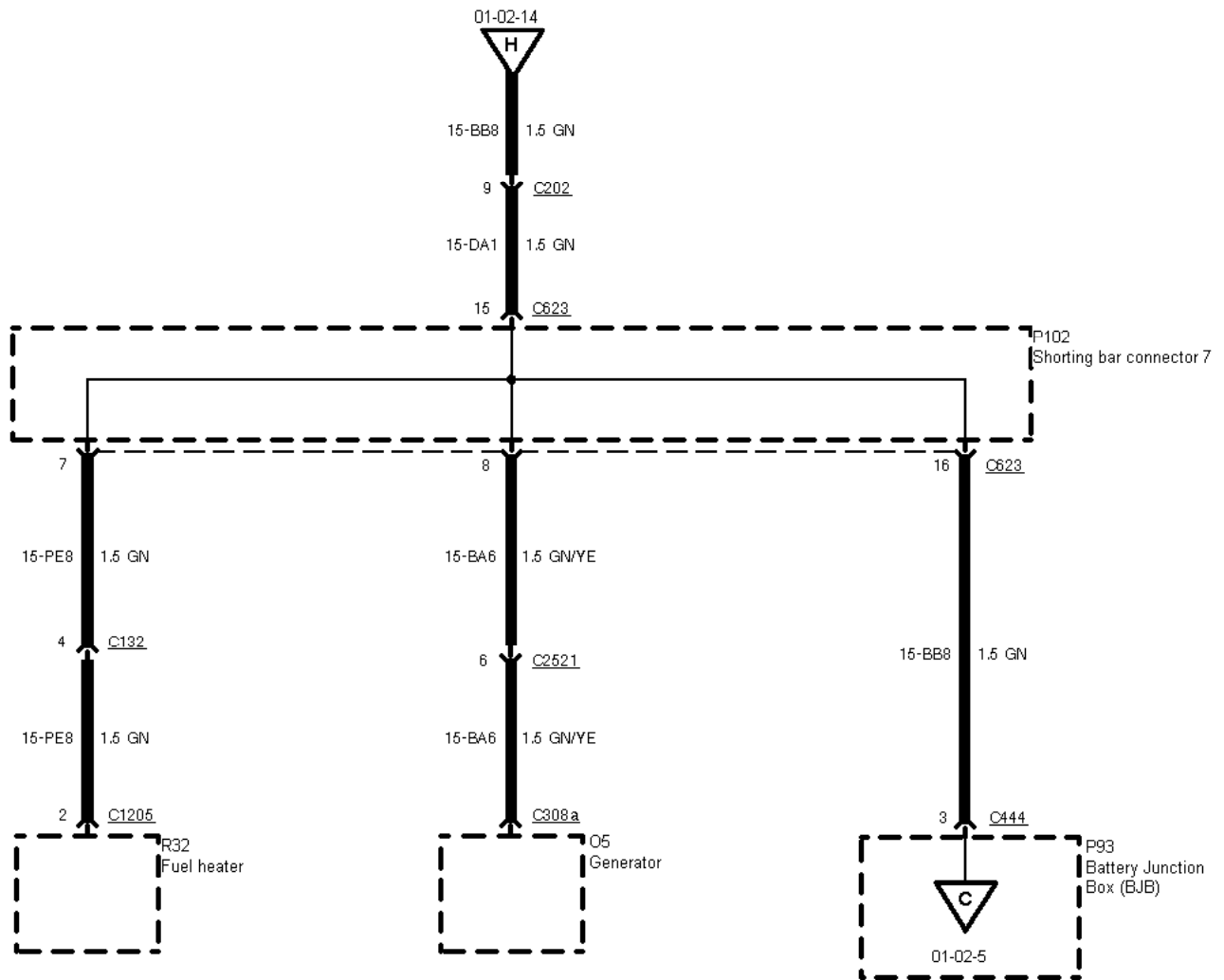




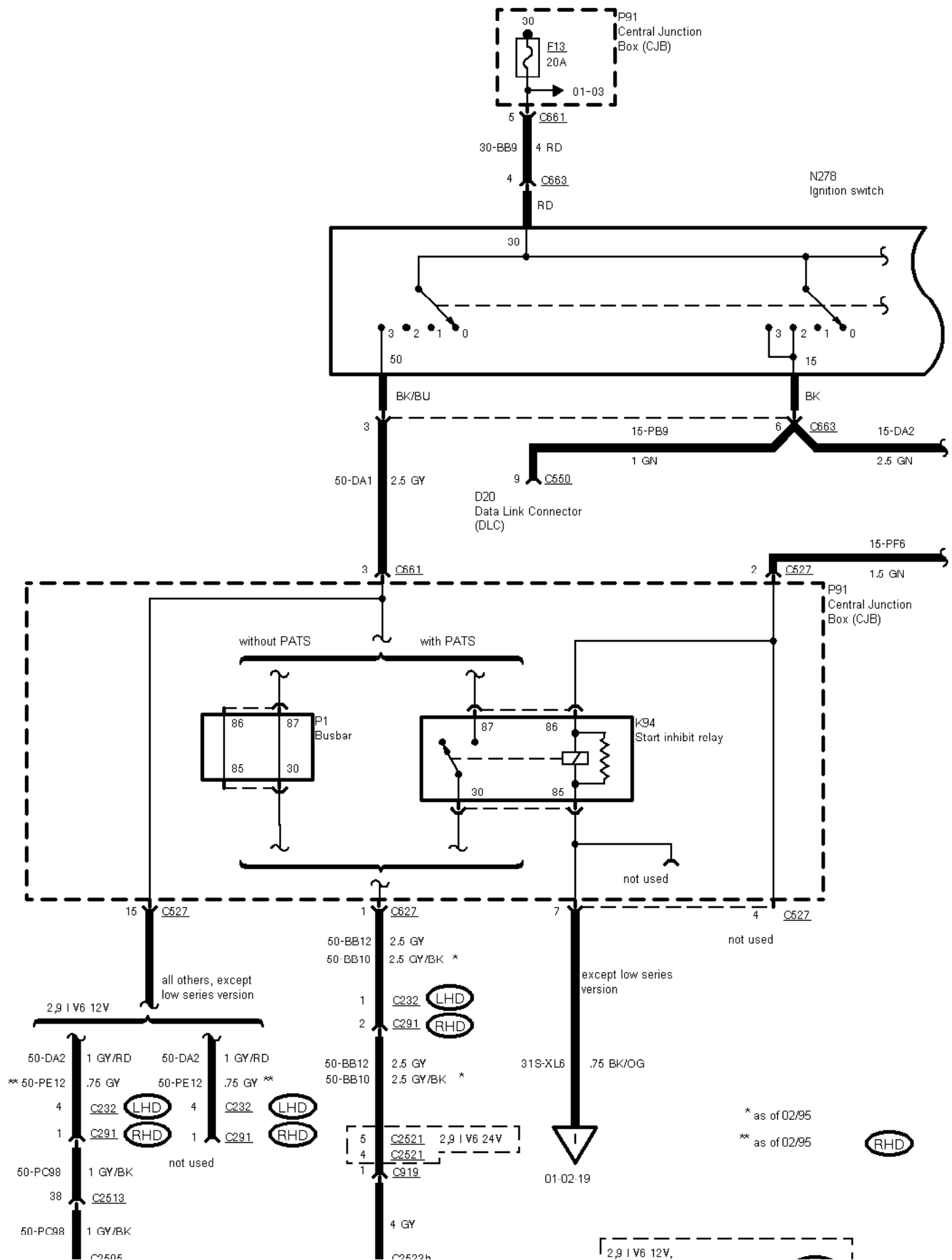
01-02-011 , Power Distribution , TCI Diesel from 03/96 to 09/96

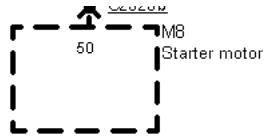
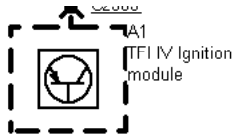


01-02-012 , Power Distribution , 2,5 l TCI Diesel as of 09/96



01-02-013 , Power Distribution , Ignition switch before 03/96

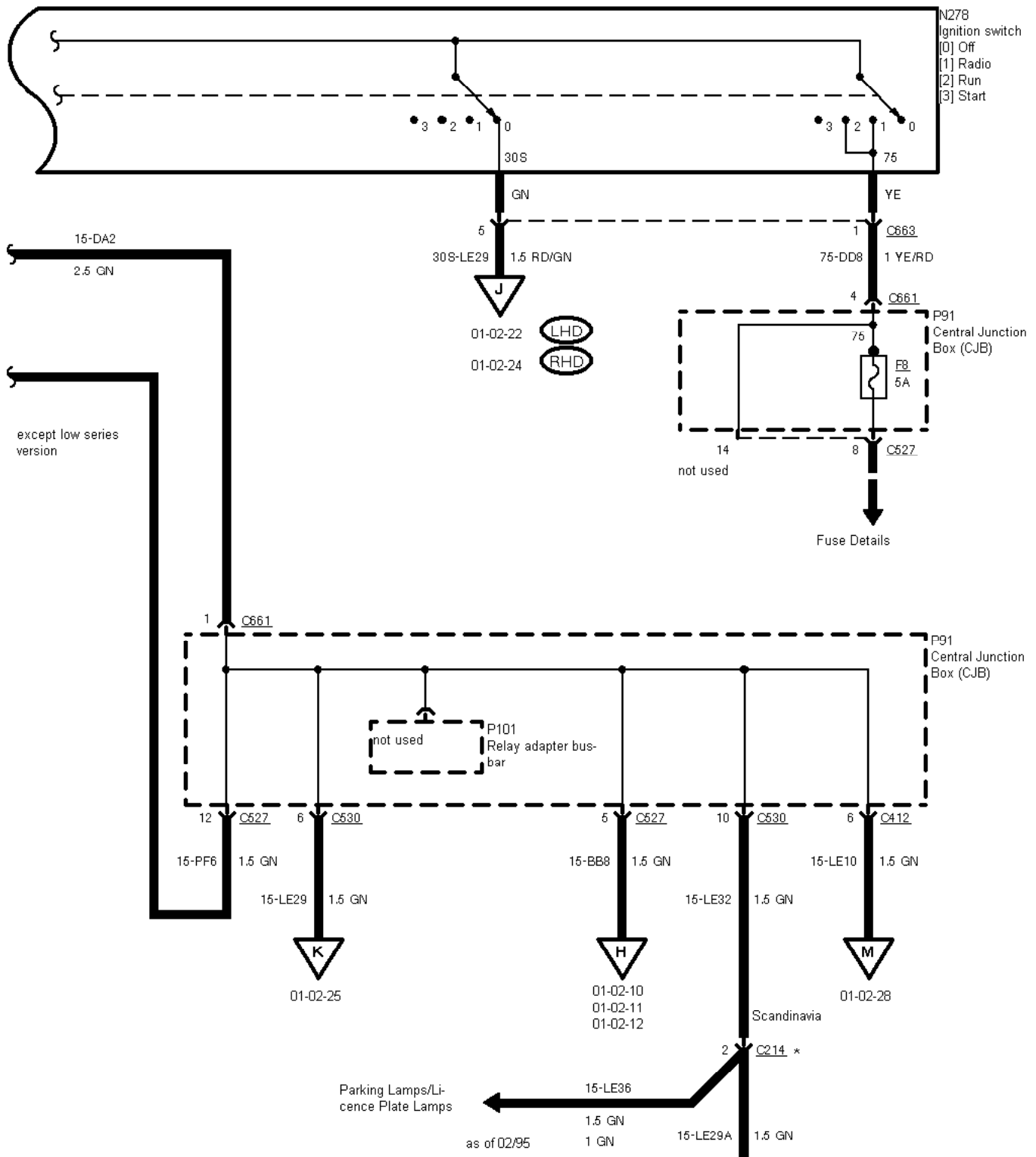




2.9 I V6 24V as of 02/95

LHD

01-02-014 , Power Distribution , Ignition switch before 03/96

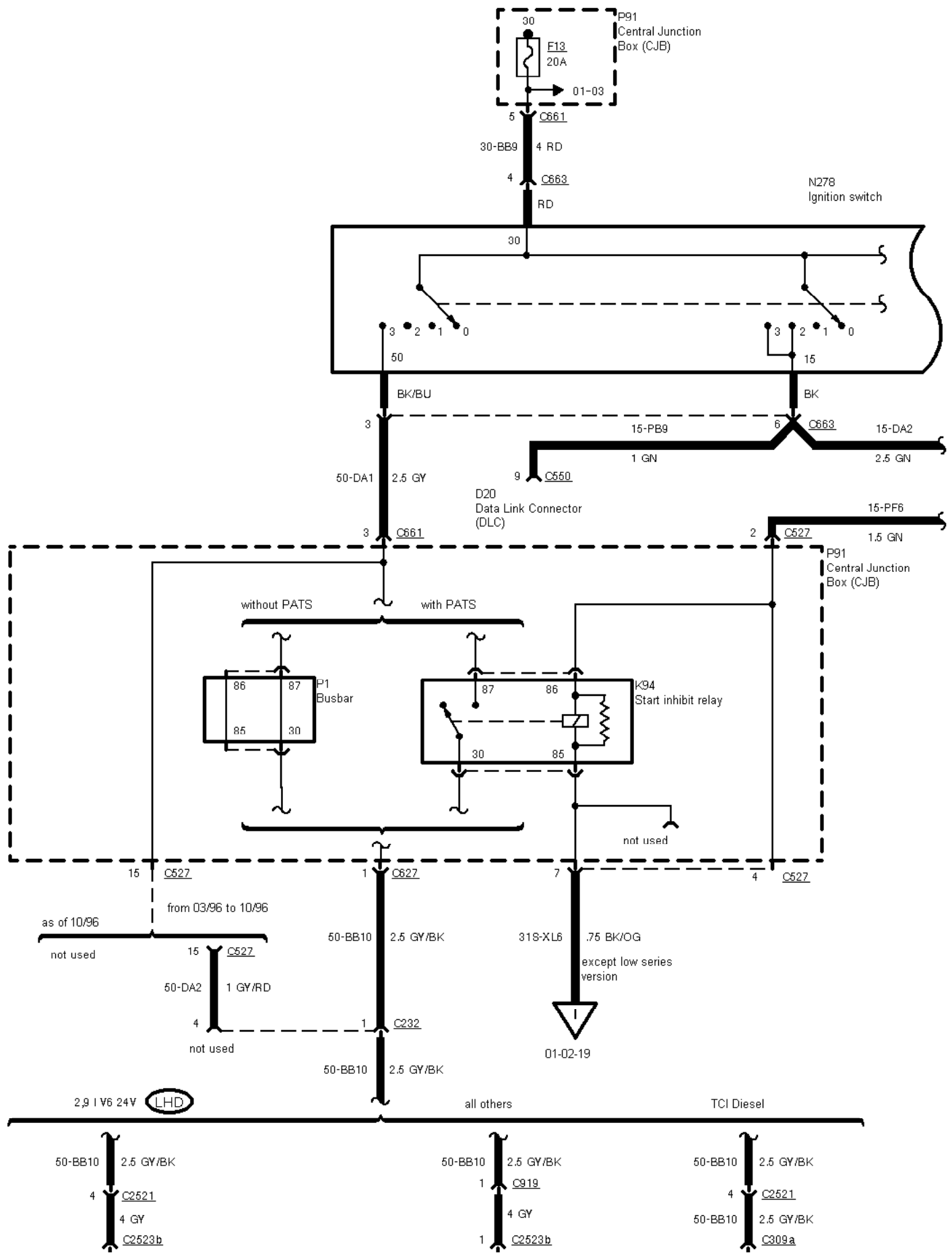


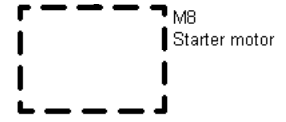
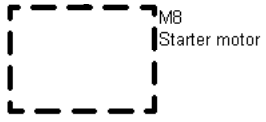
* daytime running
light country code
connector



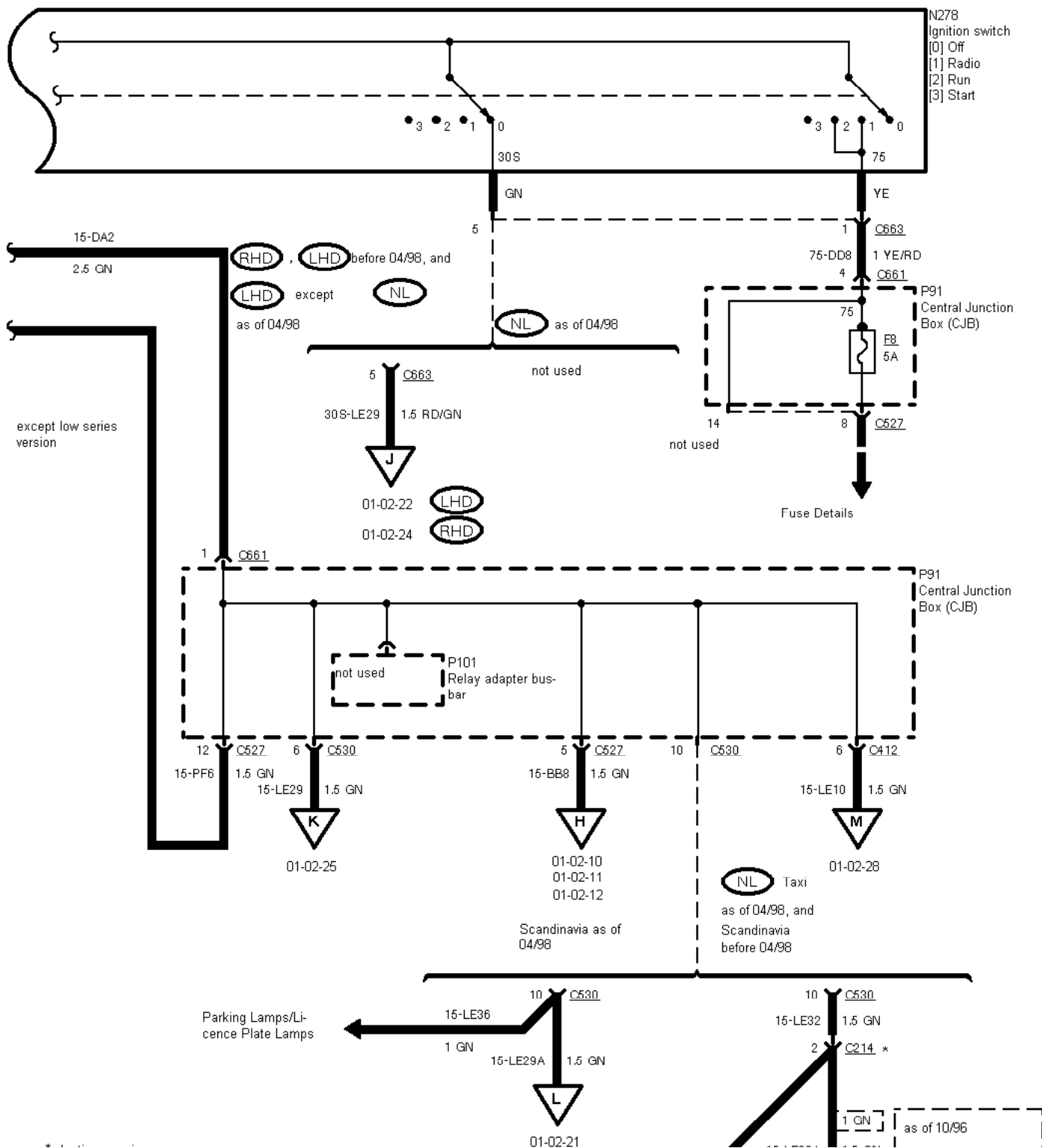
01-02-21

01-02-015 , Power Distribution , Ignition switch as of 03/96 except 2,9 I V6 12V



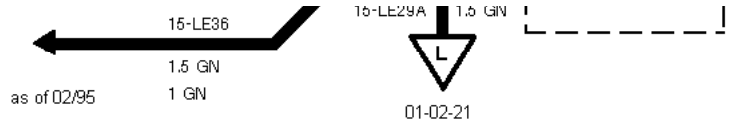


01-02-016 , Power Distribution , Ignition switch as of 03/96 except 2,9 I V6 12V

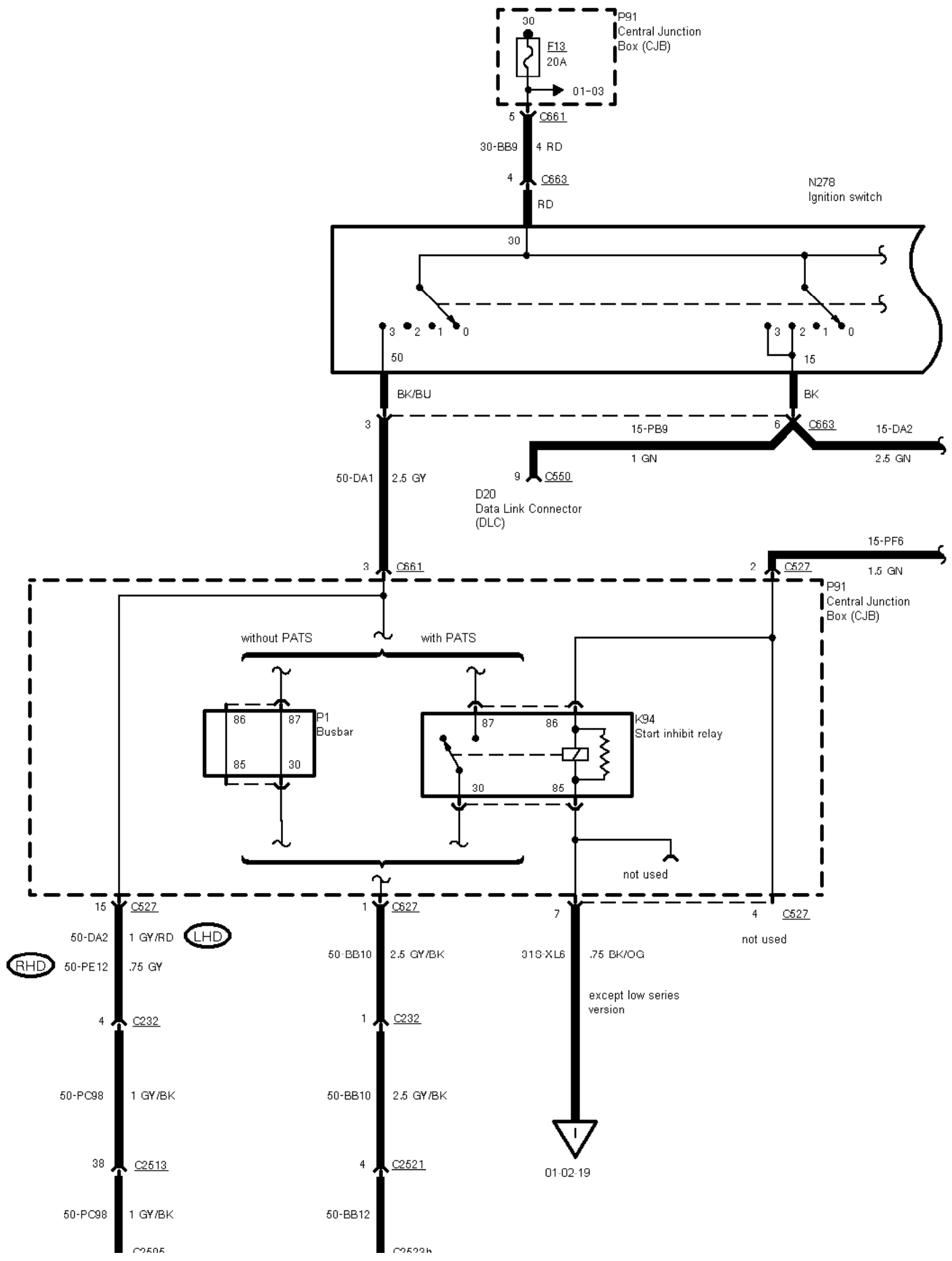


~ daytime running
light country code
connector

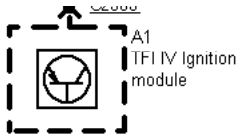
Parking Lamps/Li-
cense Plate Lamps



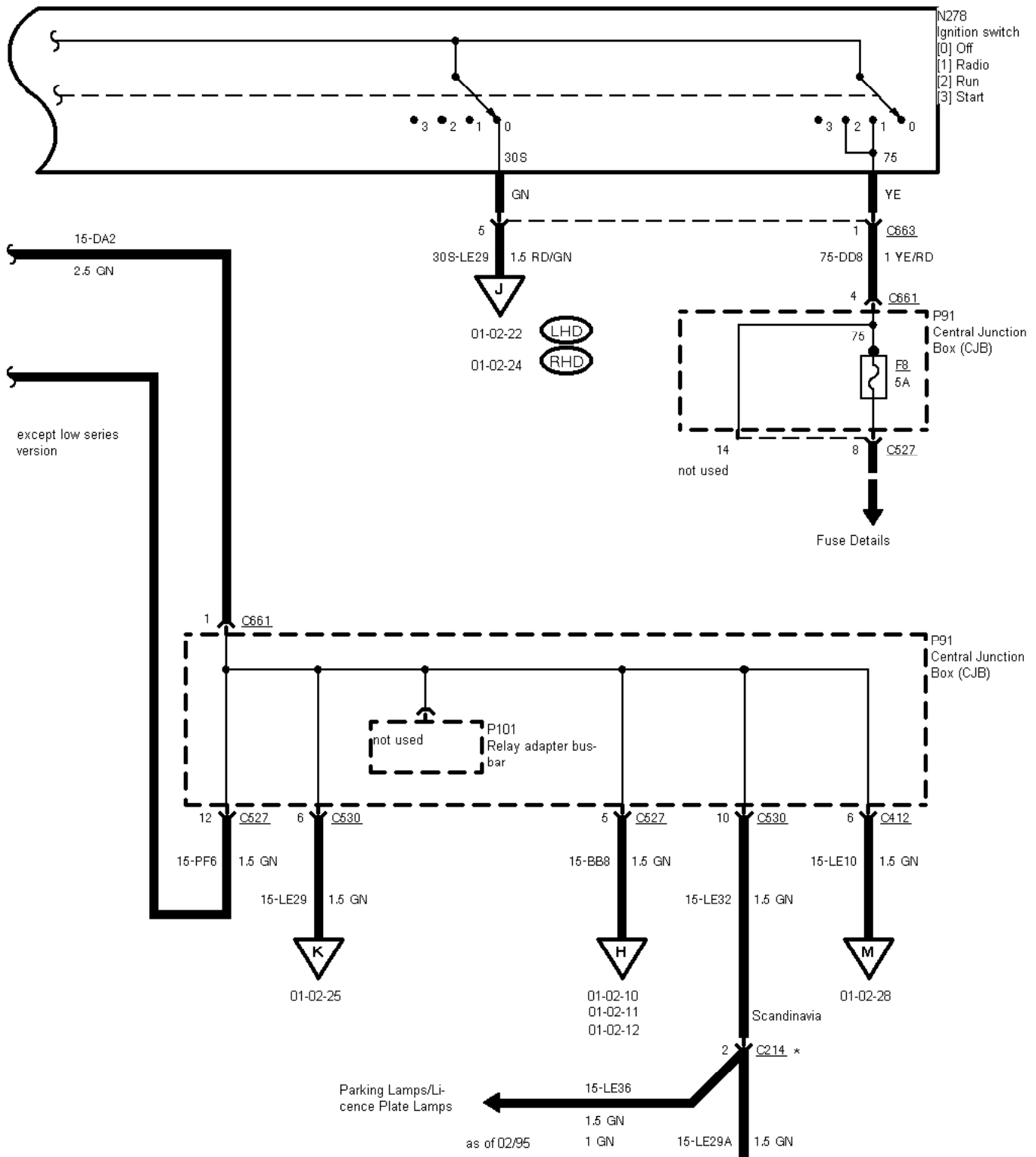
01-02-017 , Power Distribution , Ignition switch 2,9 I V6 12V as of 03/96



01-02-19



01-02-018 , Power Distribution , Ignition switch 2,9 I V6 12V as of 03/96

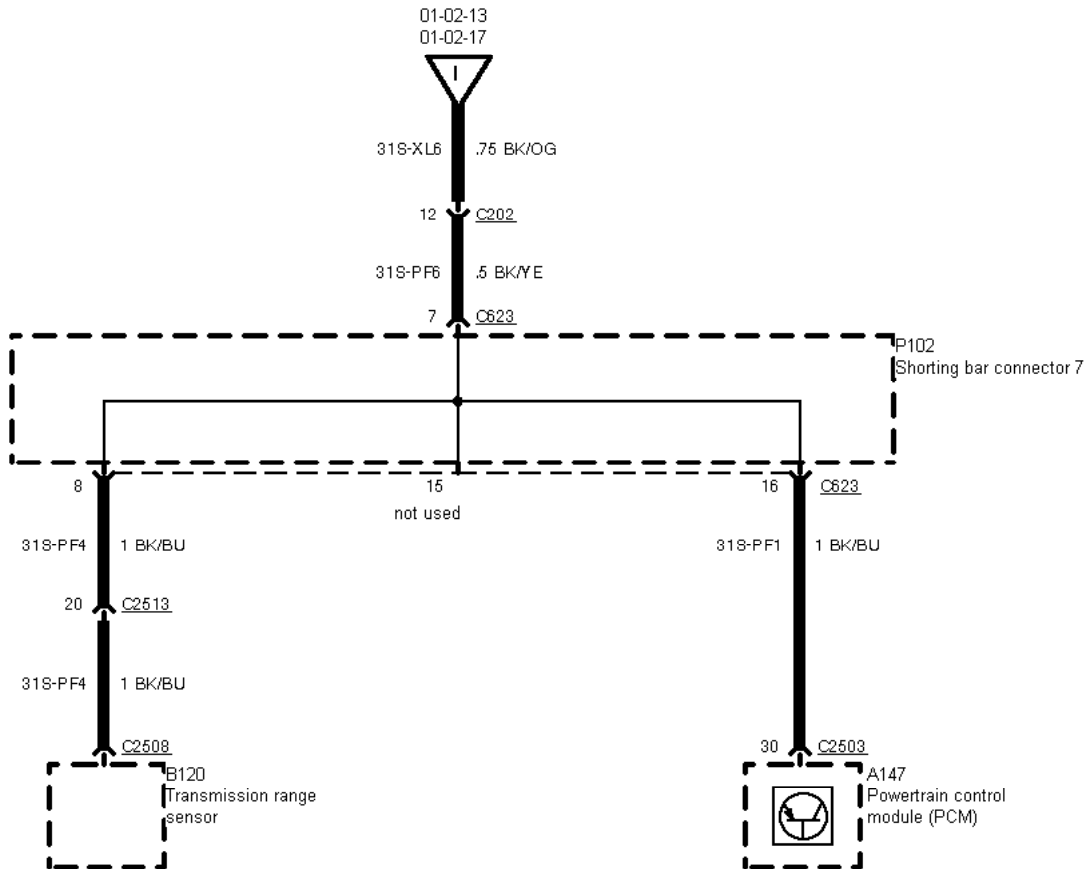


* daytime running
light country code
connector

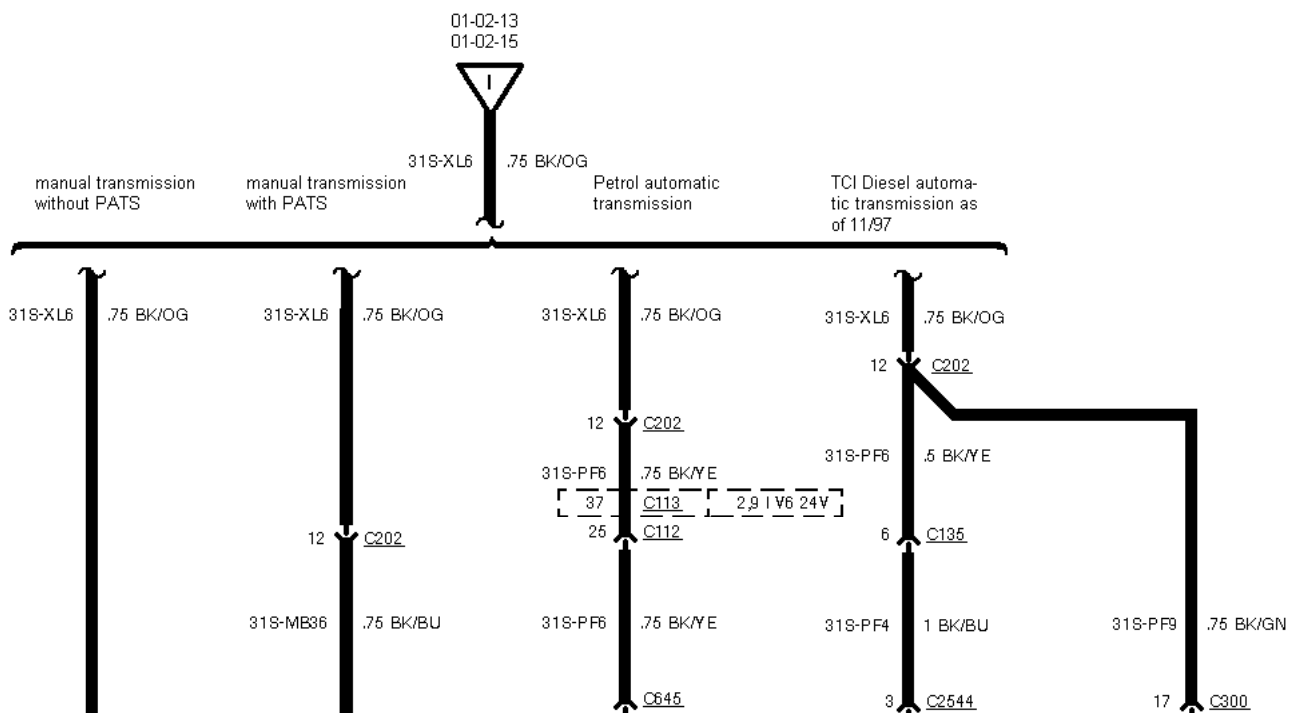


01-02-21

01-02-019 , Power Distribution



Except 2,9 L V6 12V



12  C202

not used



Passive Anti-theft
System (PATS)



B120
Transmission range
sensor



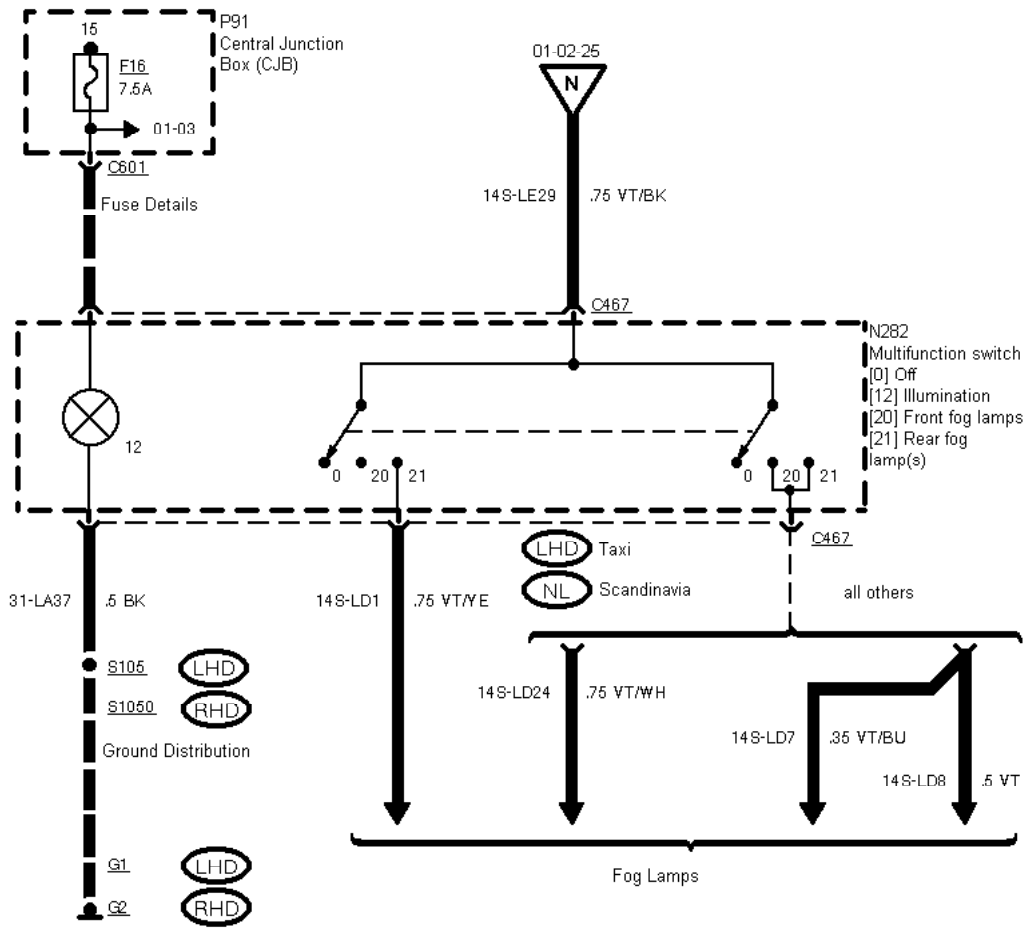
B120
Transmission range
sensor



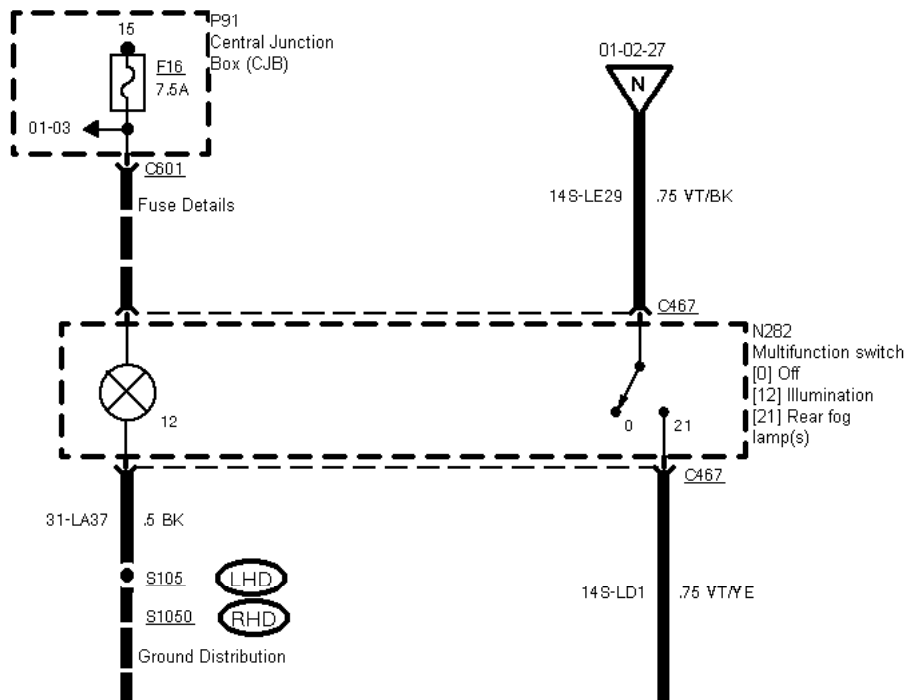
A147
Powertrain control
module (PCM)

01-02-020 , Power Distribution , Multifunction switch

Front and rear fog lamps



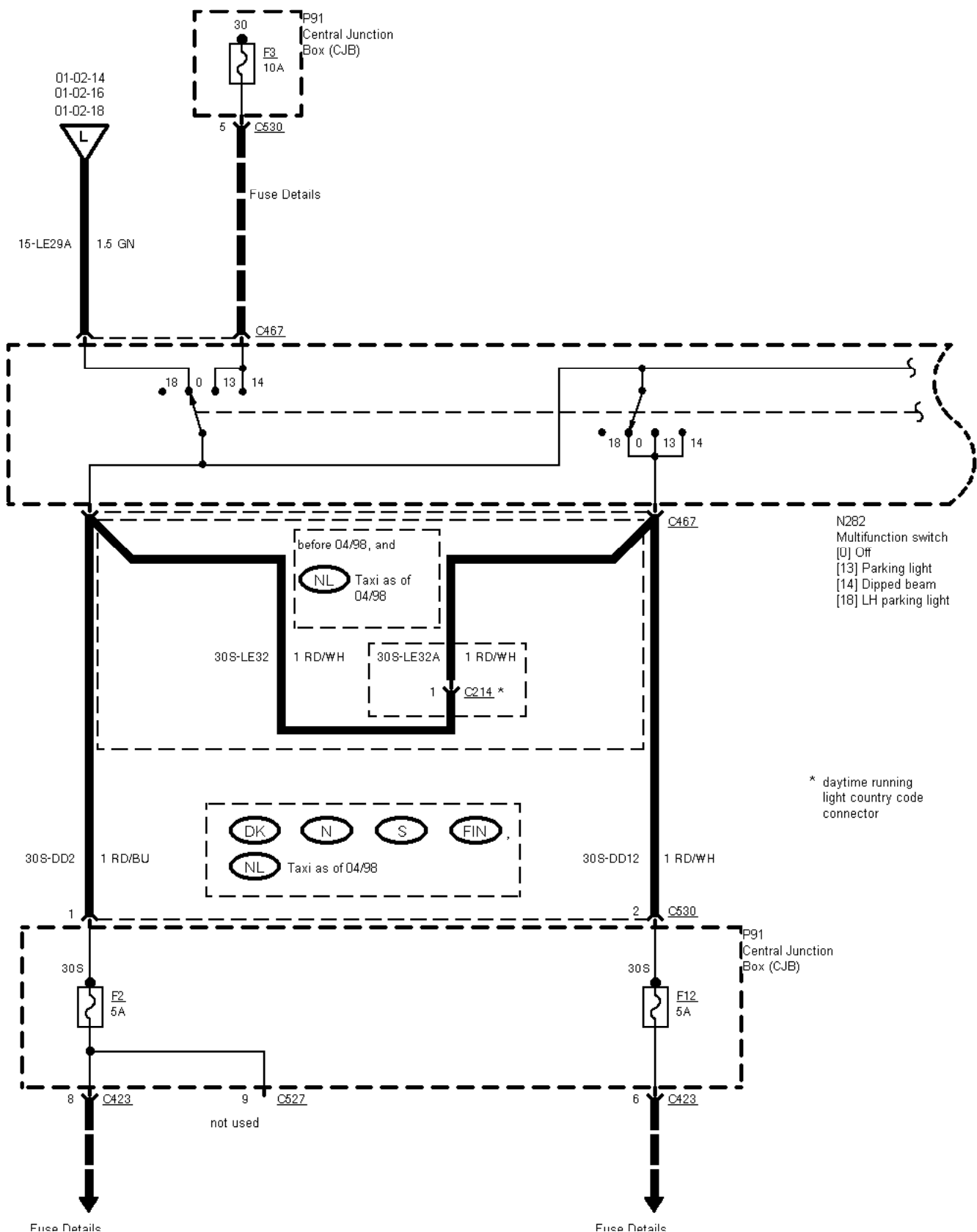
Rear fog lamp only



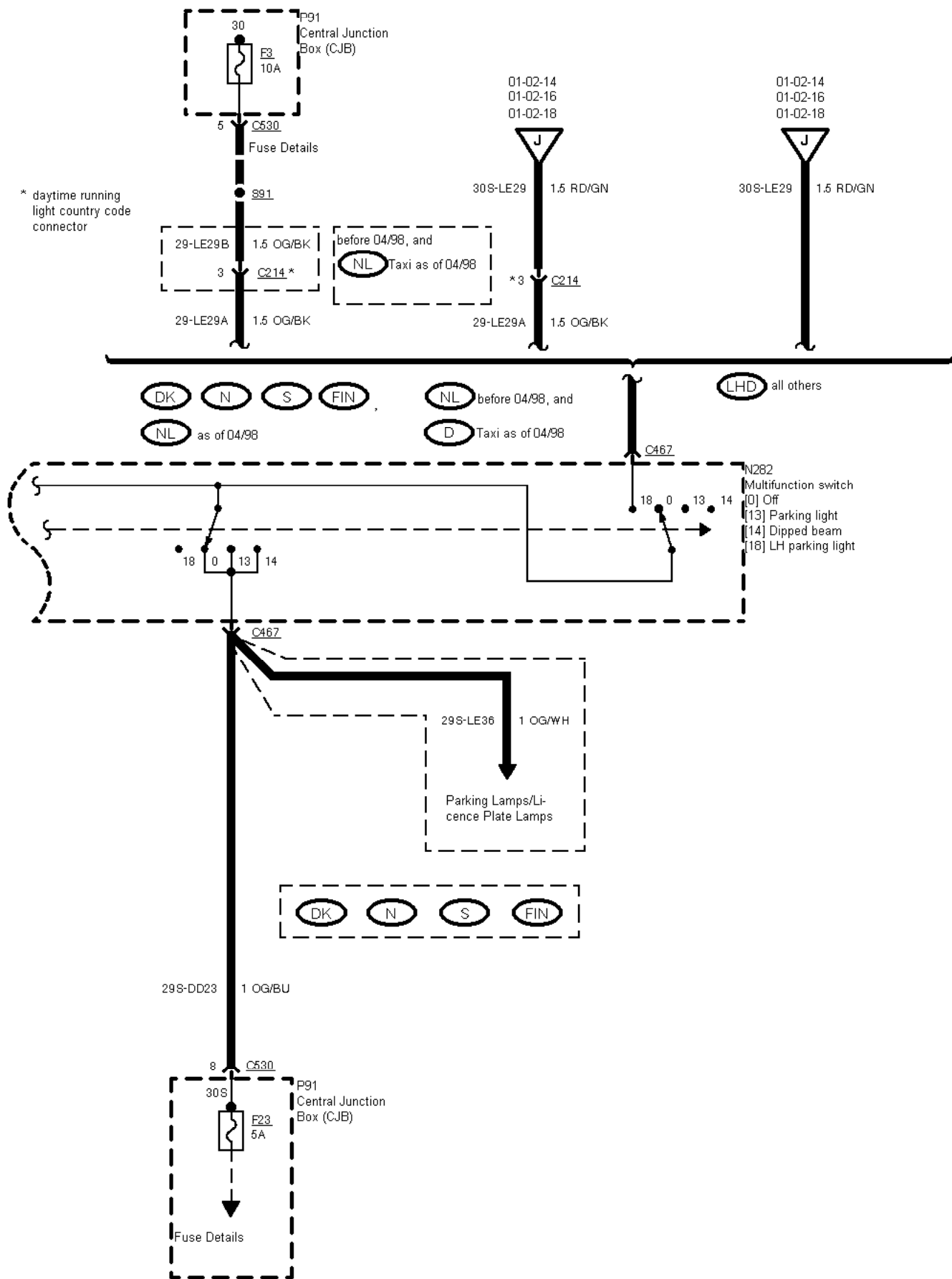


▼
Fog Lamps

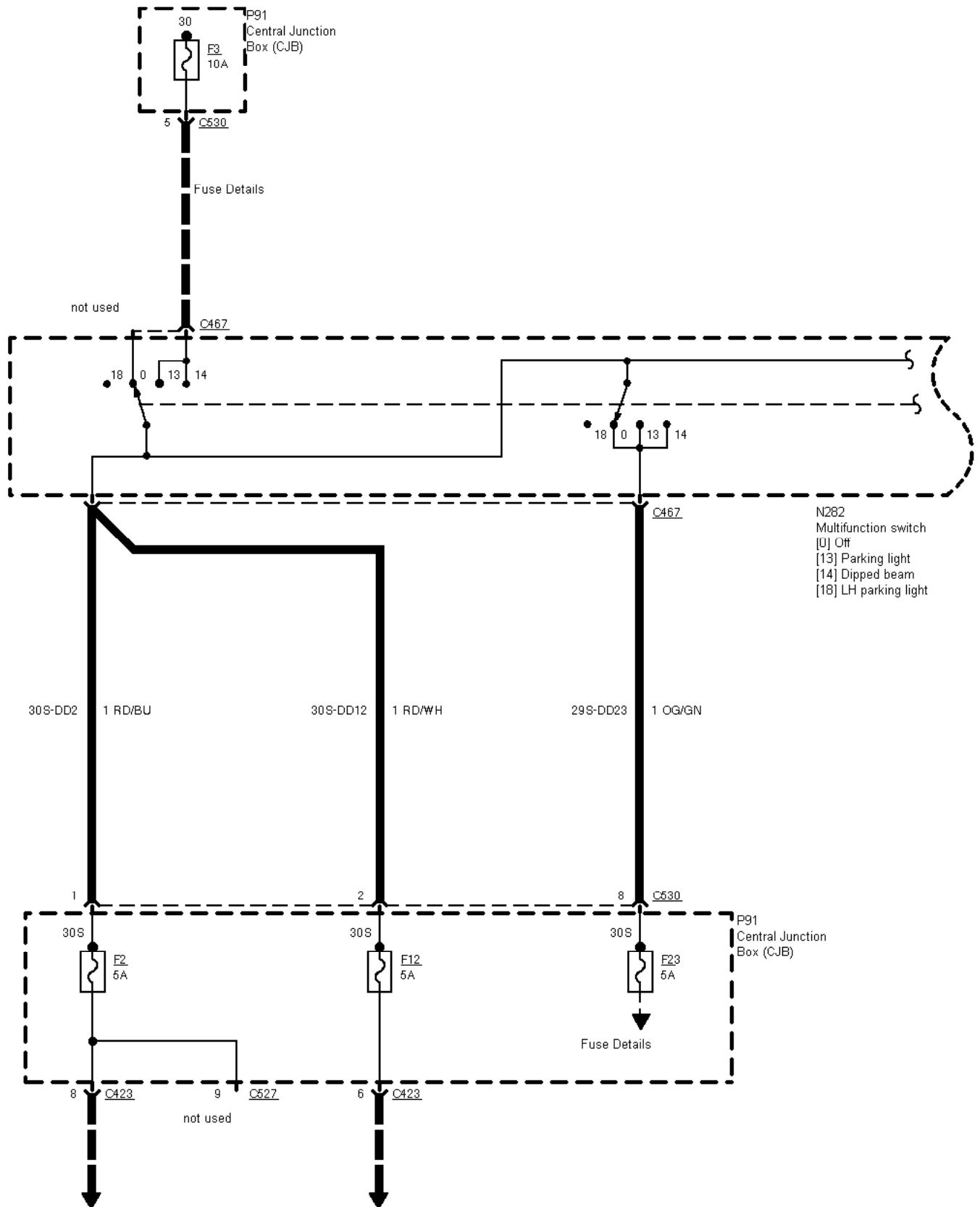
01-02-021 , Power Distribution , Multifunction switch, LHD



01-02-022 , Power Distribution , Multifunction switch, LHD



01-02-023 , Power Distribution , Multifunction switch, RHD





Fuse Details

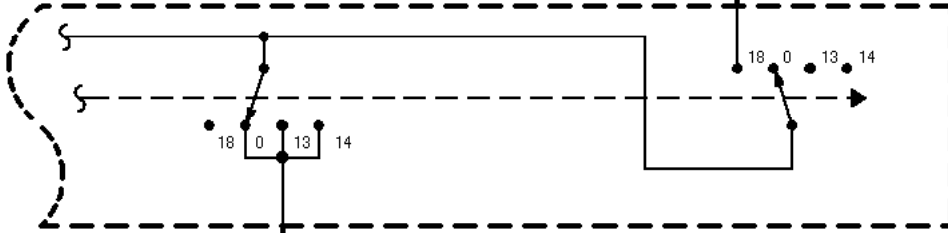
01-02-024 , Power Distribution , Multifunction switch, RHD

01-02-14
01-02-16
01-02-18



30S-LE29 1.5 RD/GN

C467



N282
Multifunction switch
[0] Off
[13] Parking light
[14] Dipped beam
[18] LH parking light

C467

not used

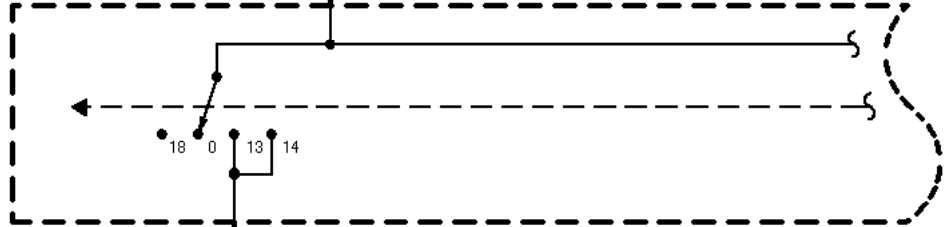
01-02-025 , Power Distribution , Multifunction switch

01-02-14
01-02-16
01-02-18



15-LE29 1.5 GN

C467



all others before 03/96,
all vehicles as of 03/96



low series version
before 03/96

N282
Multifunction switch
[0] Off
[13] Parking light
[14] Dipped beam
[18] LH parking light

15S-DA1 1 GN/YE

S104

Instrument Illumi-
nation

15S-DD15A 1 GN/RD

3 C530

Front and rear fog
lamps

Rear fog lamps only

P91
Central Junction
Box (CJB)

P103
Country code busbar II

15S

F15
7.5A

Scandinavia

all others

01-02-27

86 K5
Daytime running
lamps relay
(DTRL)

not used

15S-LA28 1 GN/OG

7 C530

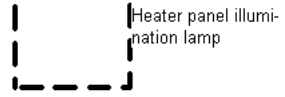
14S-LE29 .75 VT/BK

C950

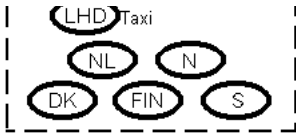
E69



01-02-20

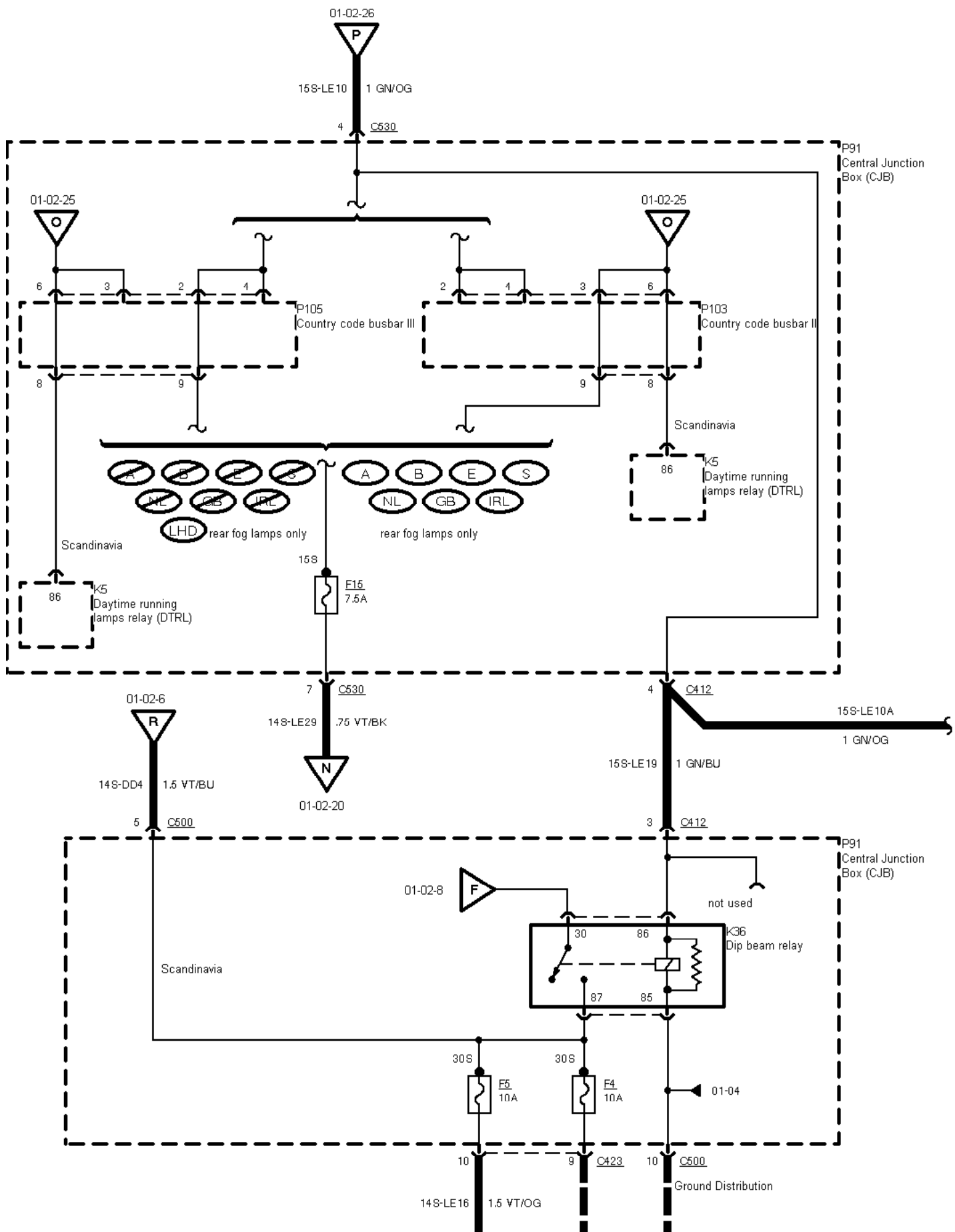


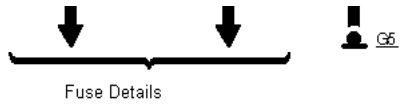
01-02-026 , Power Distribution , Multifunction switch



01-02-27

01-02-027 , Power Distribution





01-02-028 , Power Distribution

