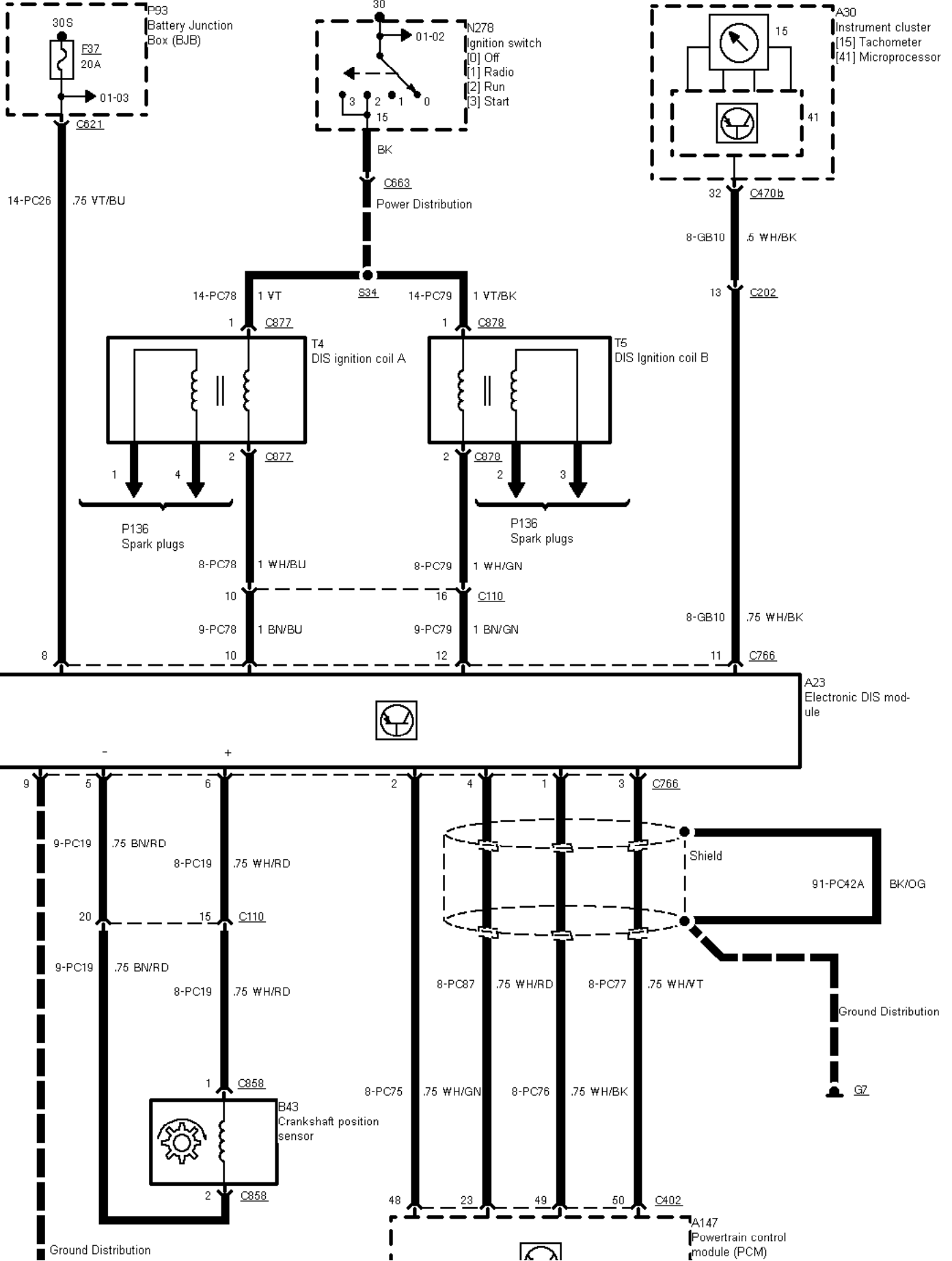
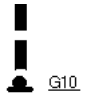


---

29-08-001 , Engine Control 2,3 I DOHC (Automatic Transmission) , Ignition

---

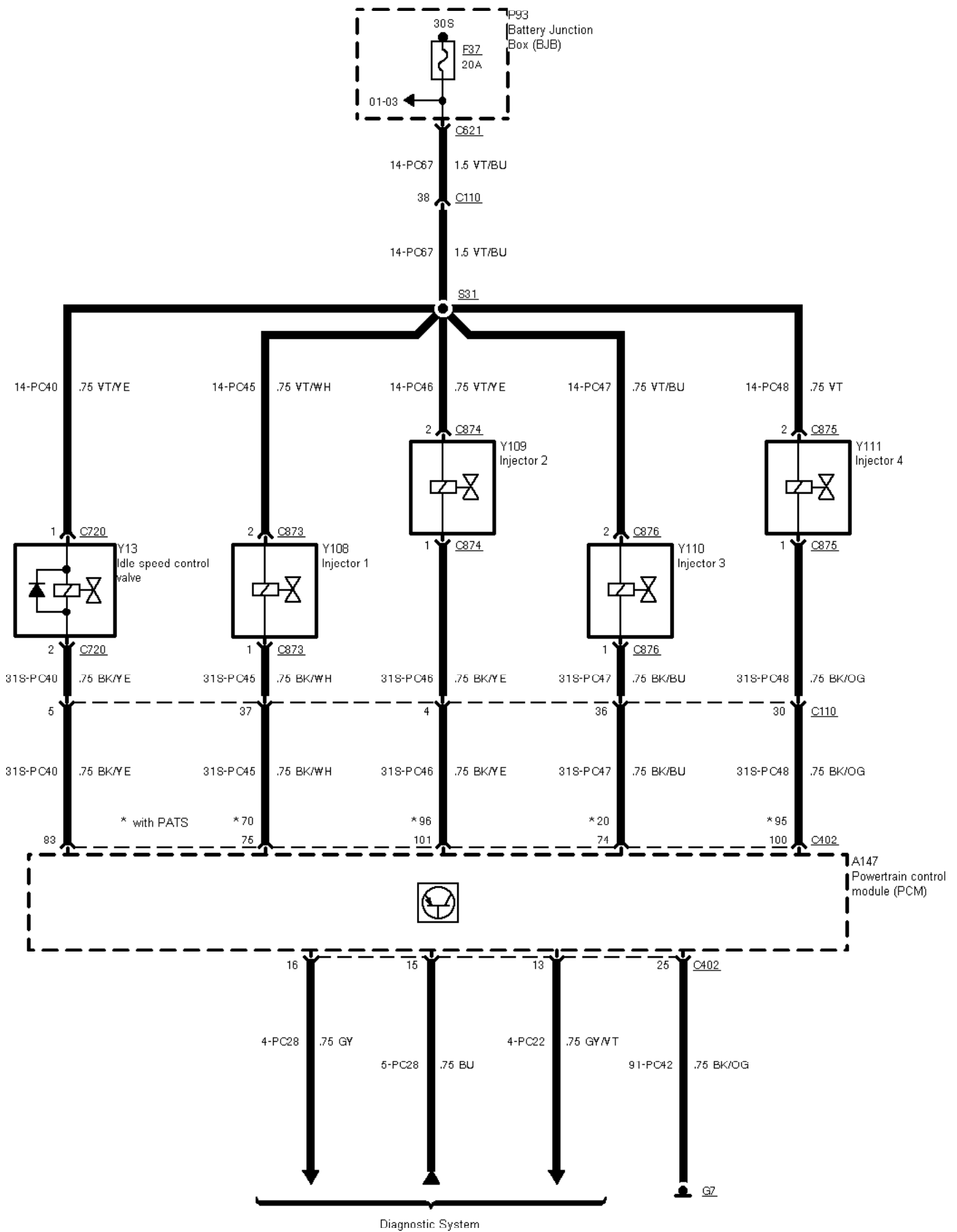




---

29-08-002 , Engine Control 2,3 I DOHC (Automatic Transmission) , Fuel injectors

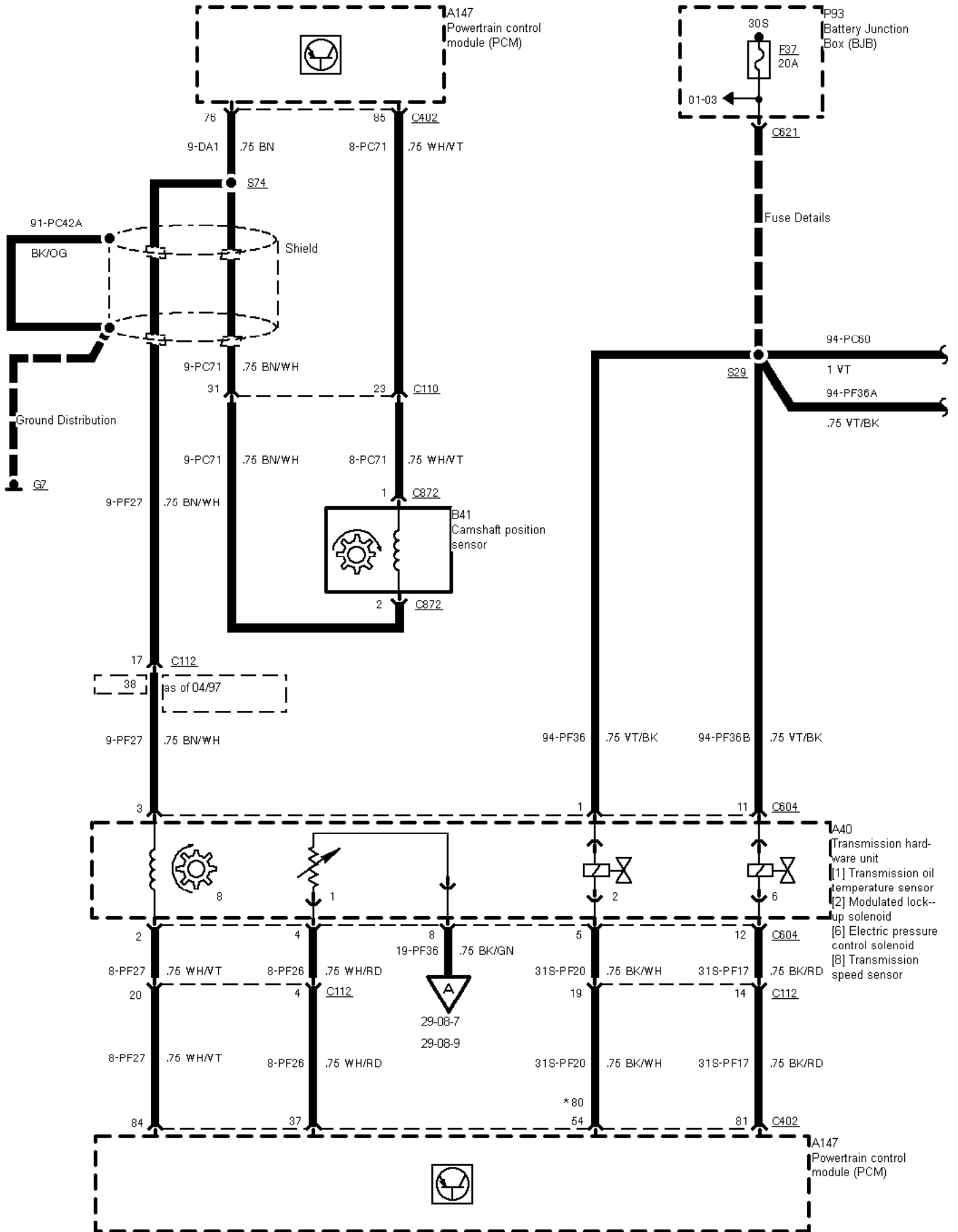
---



---

29-08-003 , Engine Control 2,3 I DOHC (Automatic Transmission)

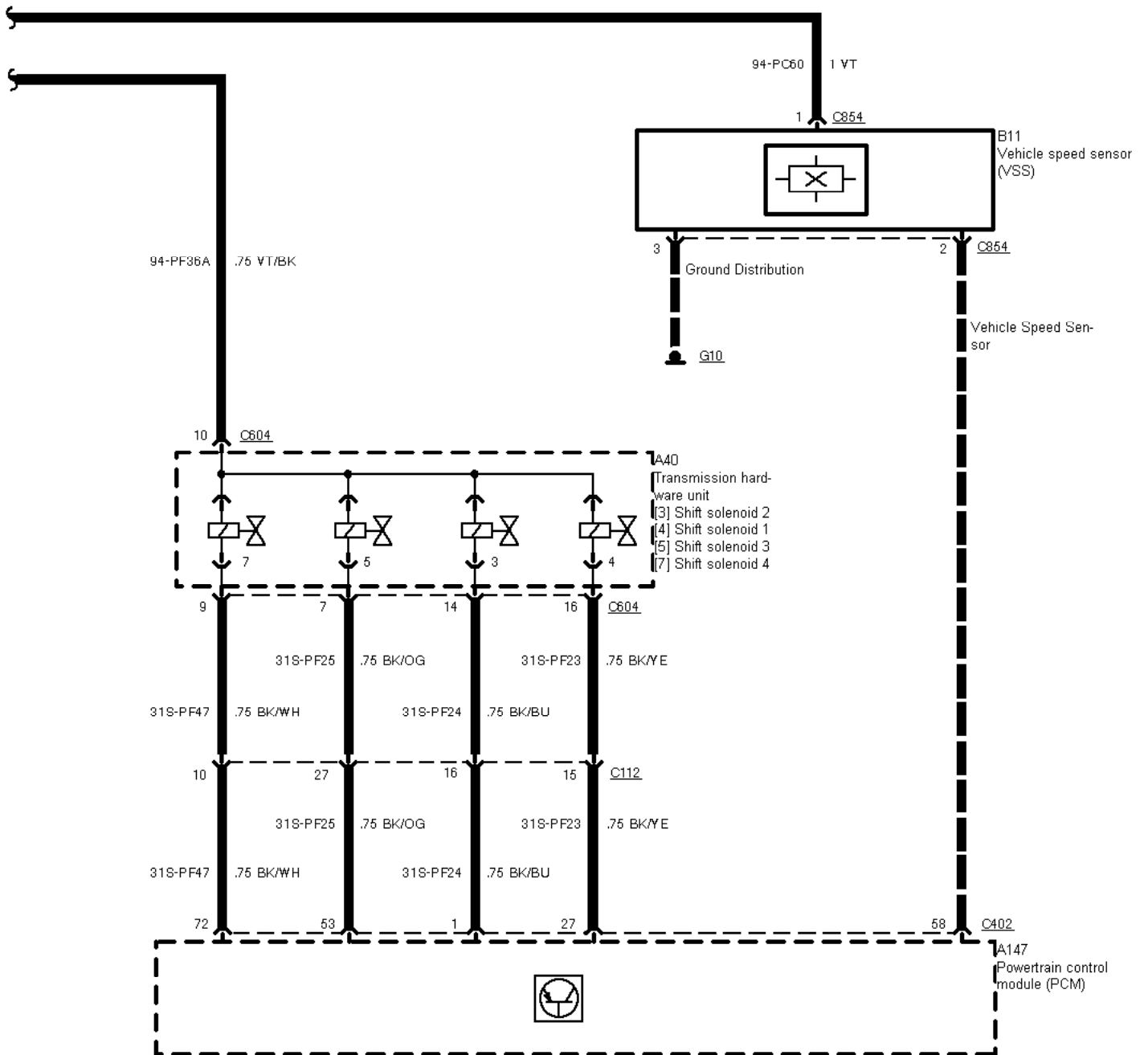
---



---

29-08-004 , Engine Control 2,3 I DOHC (Automatic Transmission)

---

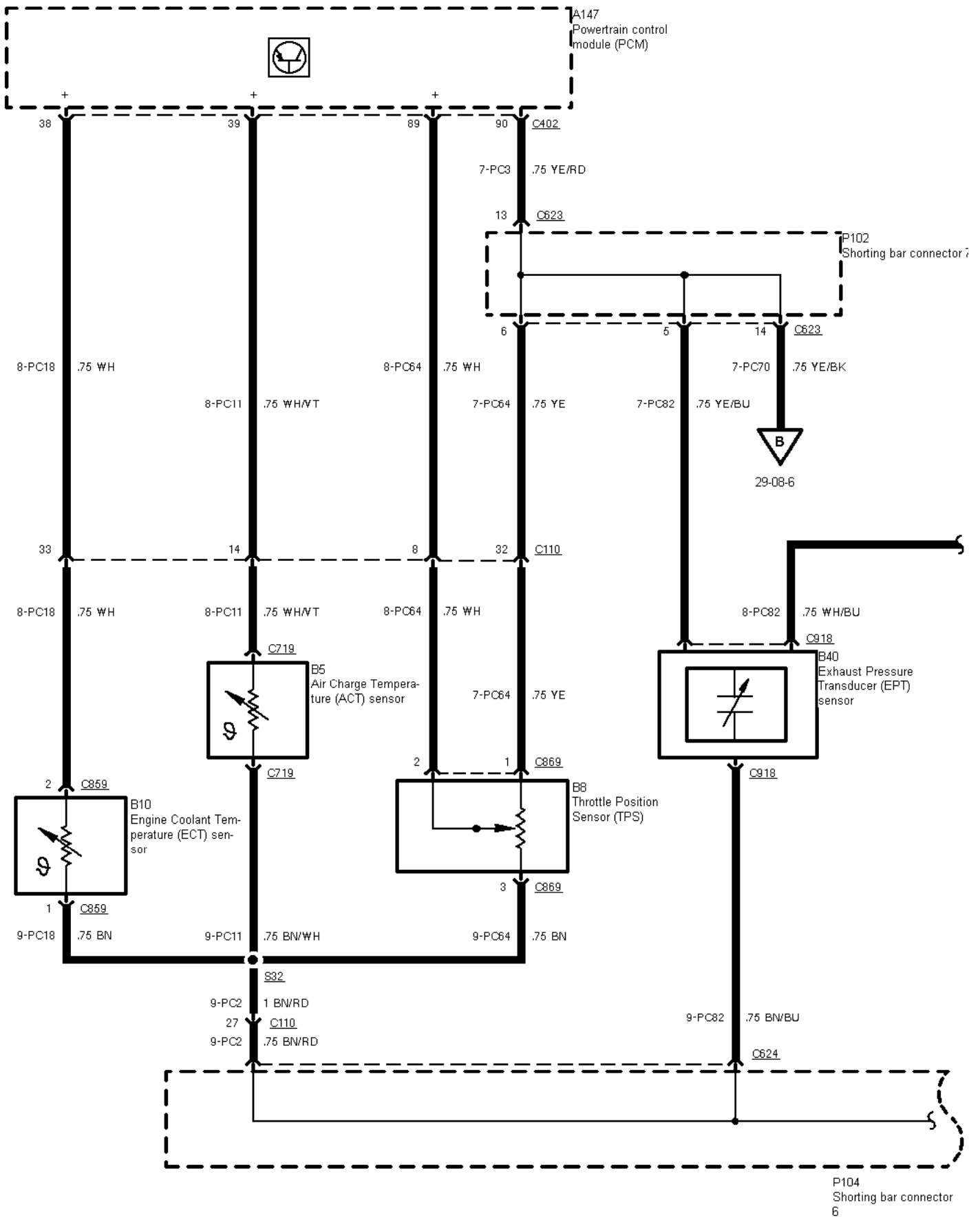




---

29-08-005 , Engine Control 2,3 I DOHC (Automatic Transmission) , Sensors

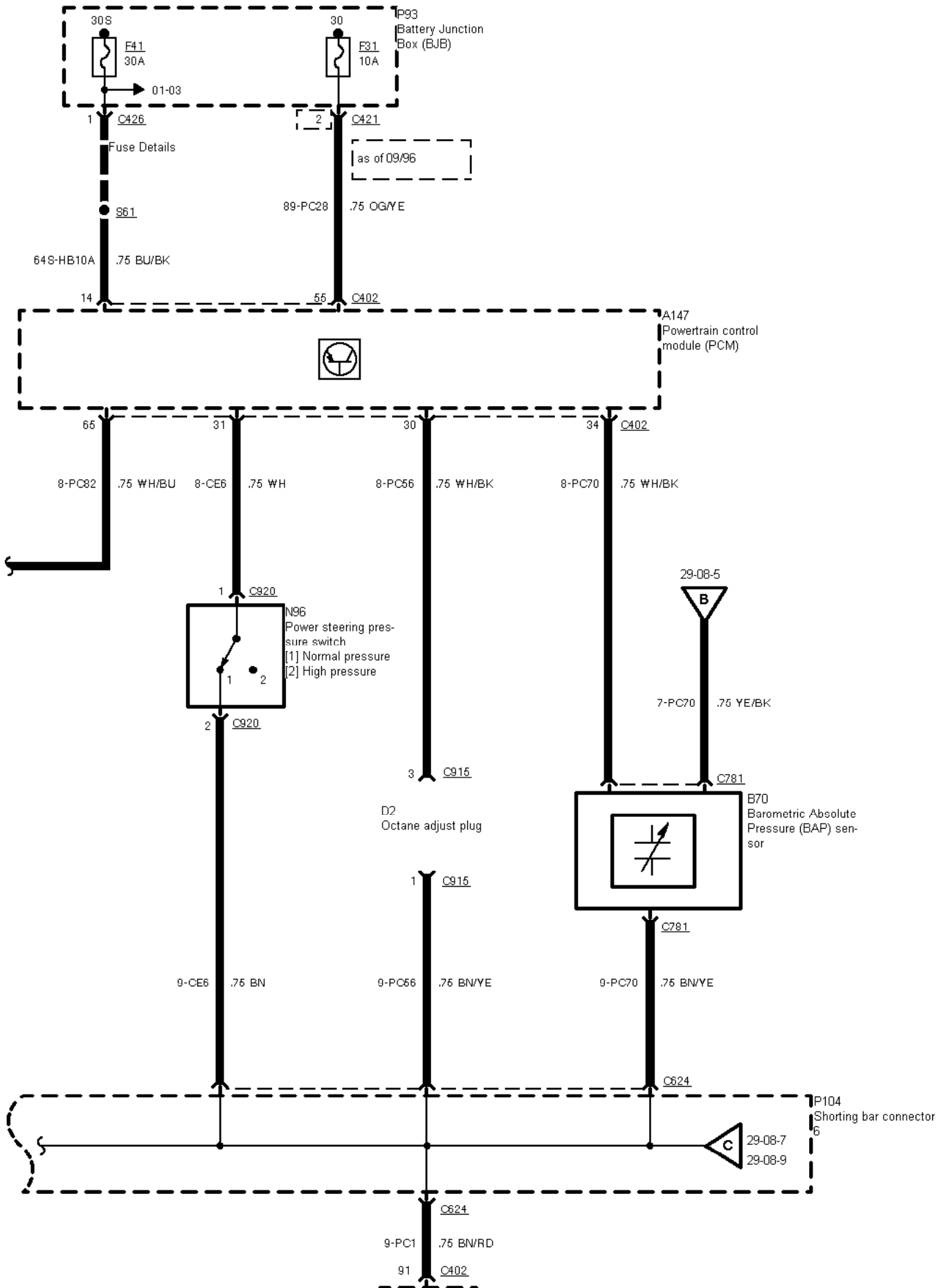
---

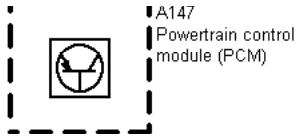


---

**29-08-006 , Engine Control 2,3 I DOHC (Automatic Transmission)**

---

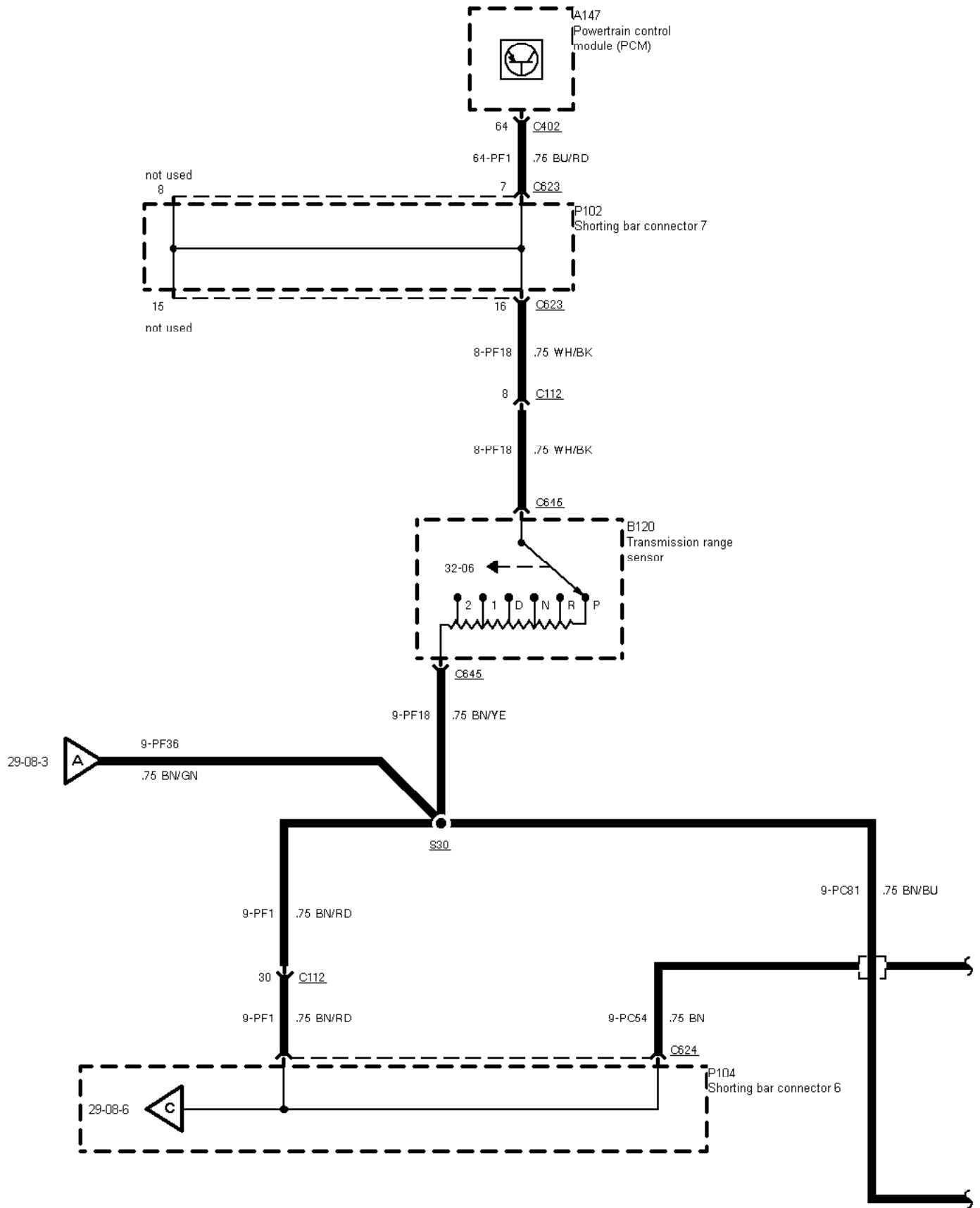




---

29-08-007 , Engine Control 2,3 I DOHC (Automatic Transmission) , Before 04/96

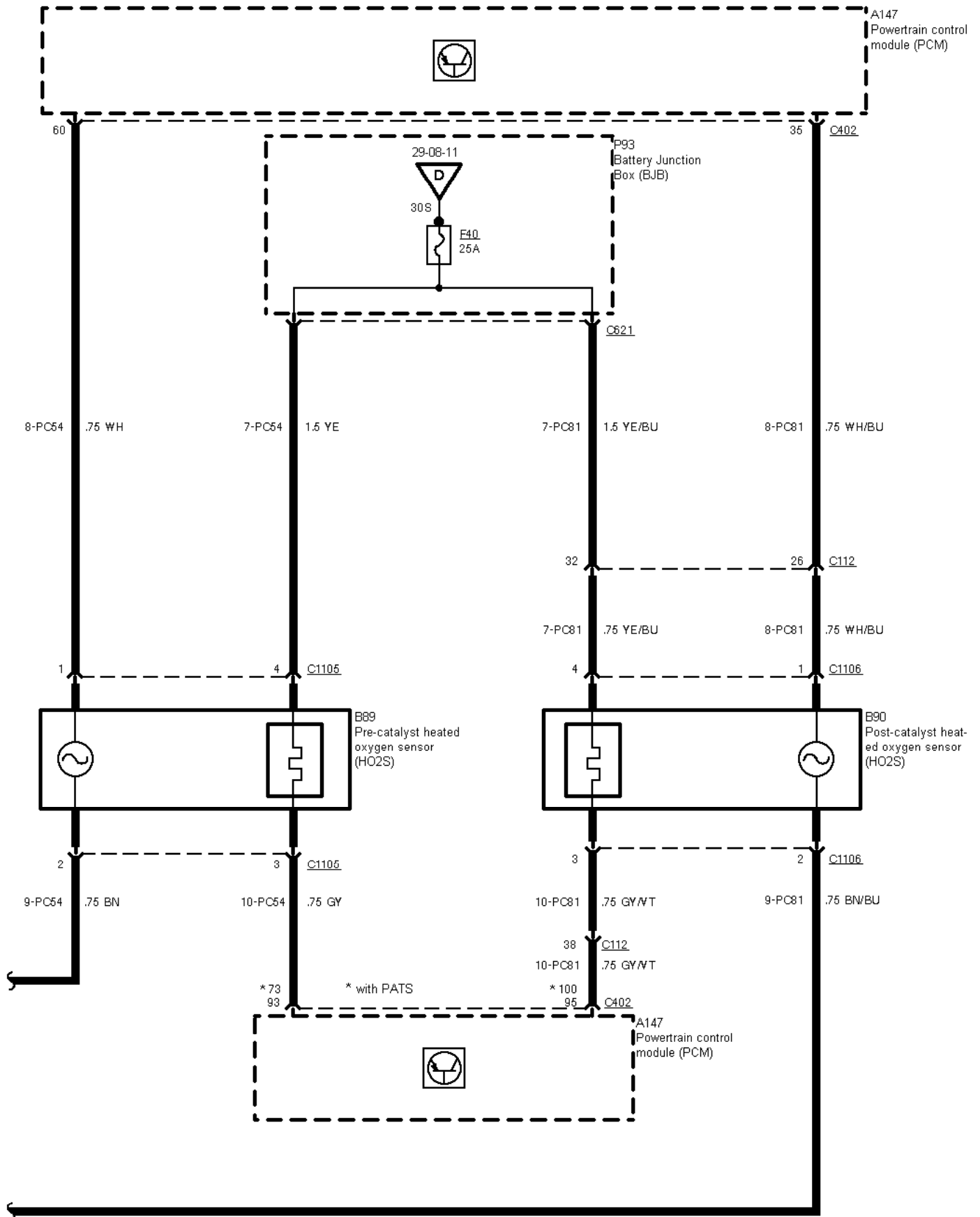
---



---

29-08-008 , Engine Control 2,3 I DOHC (Automatic Transmission) , Sensors before 04/96

---

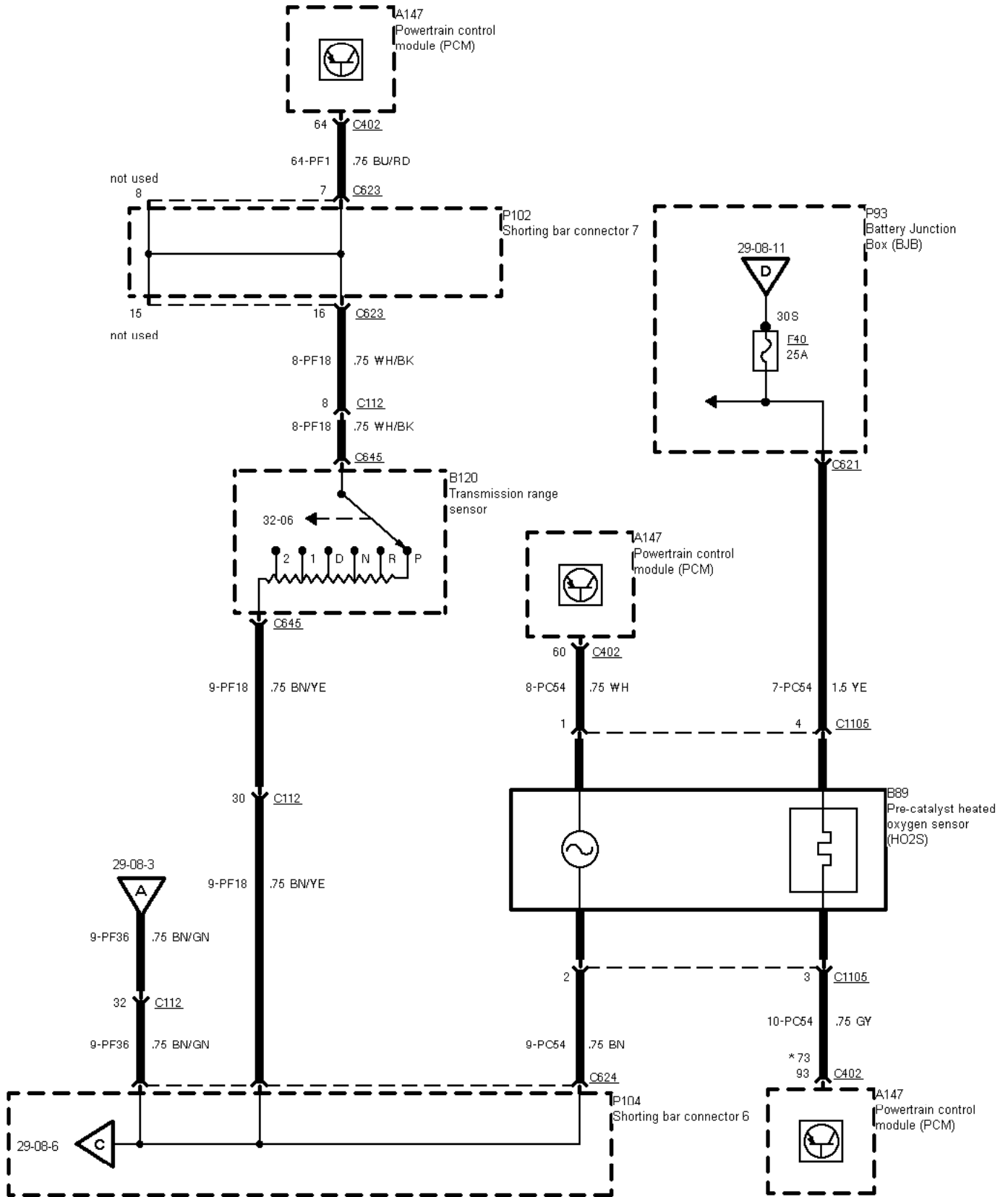




---

29-08-009 , Engine Control 2,3 I DOHC (Automatic Transmission) , As of 04/97

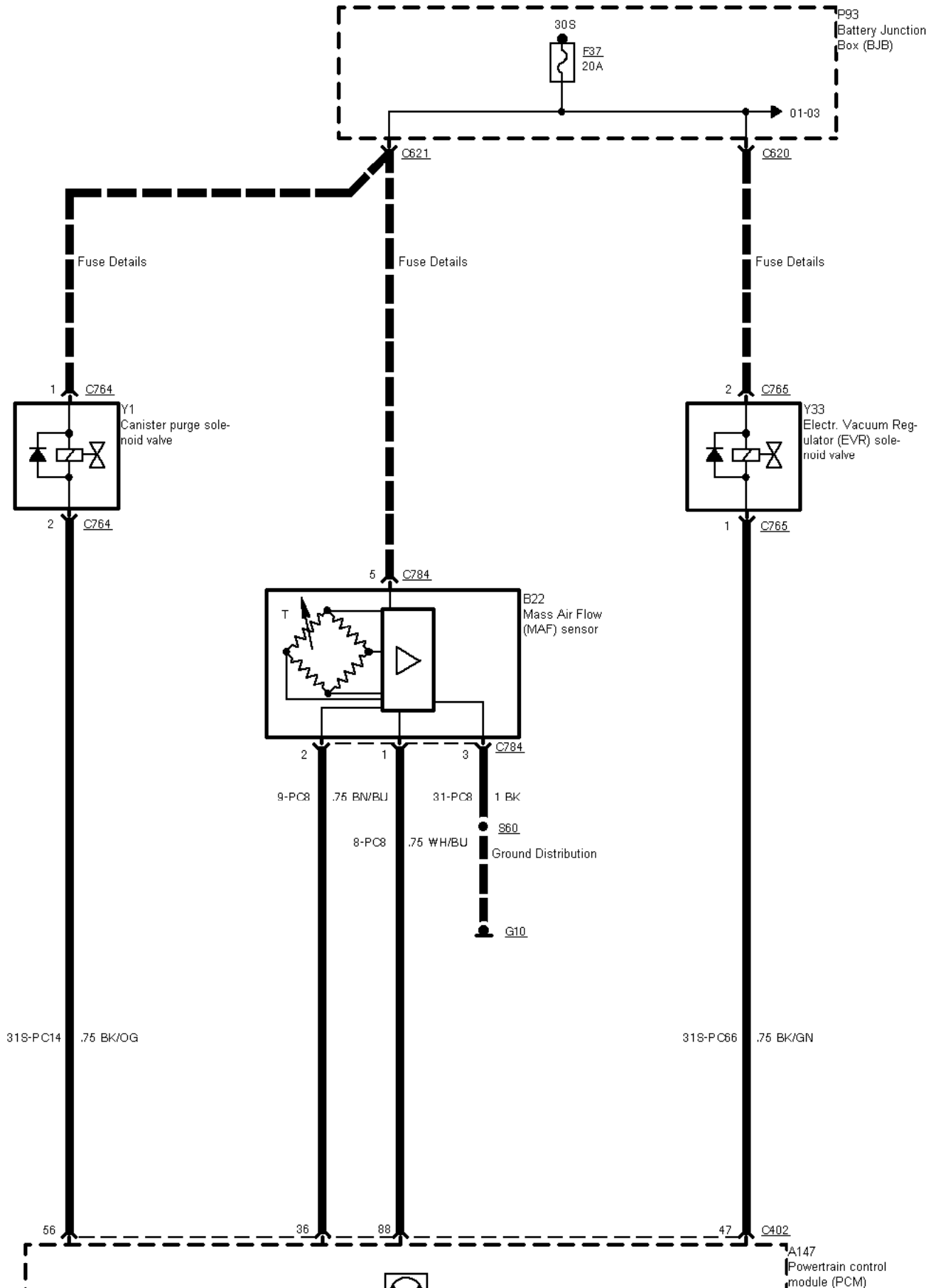
---



---

**29-08-010 , Engine Control 2,3 I DOHC (Automatic Transmission)**

---

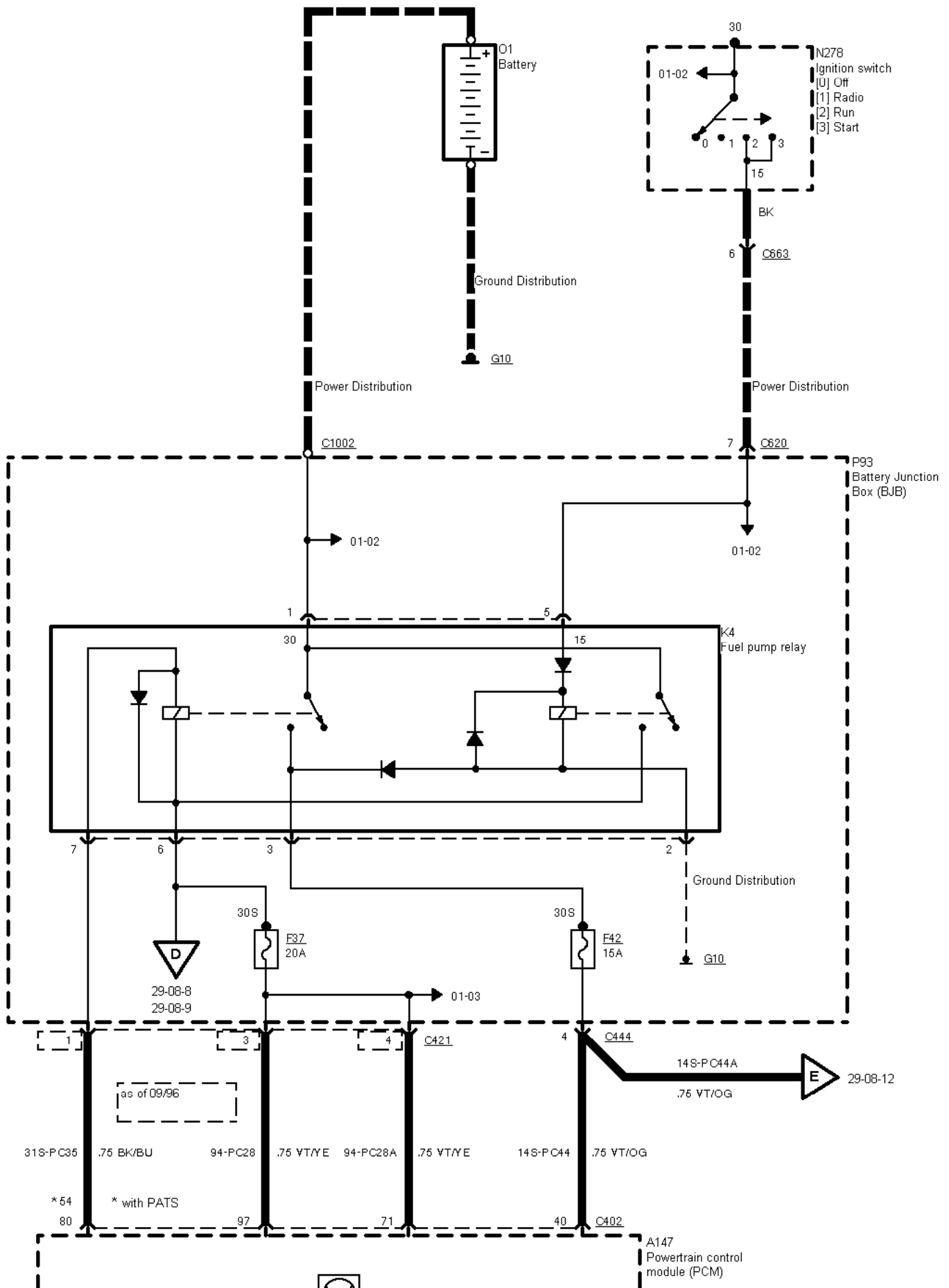




---

29-08-011 , Engine Control 2,3 I DOHC (Automatic Transmission)

---

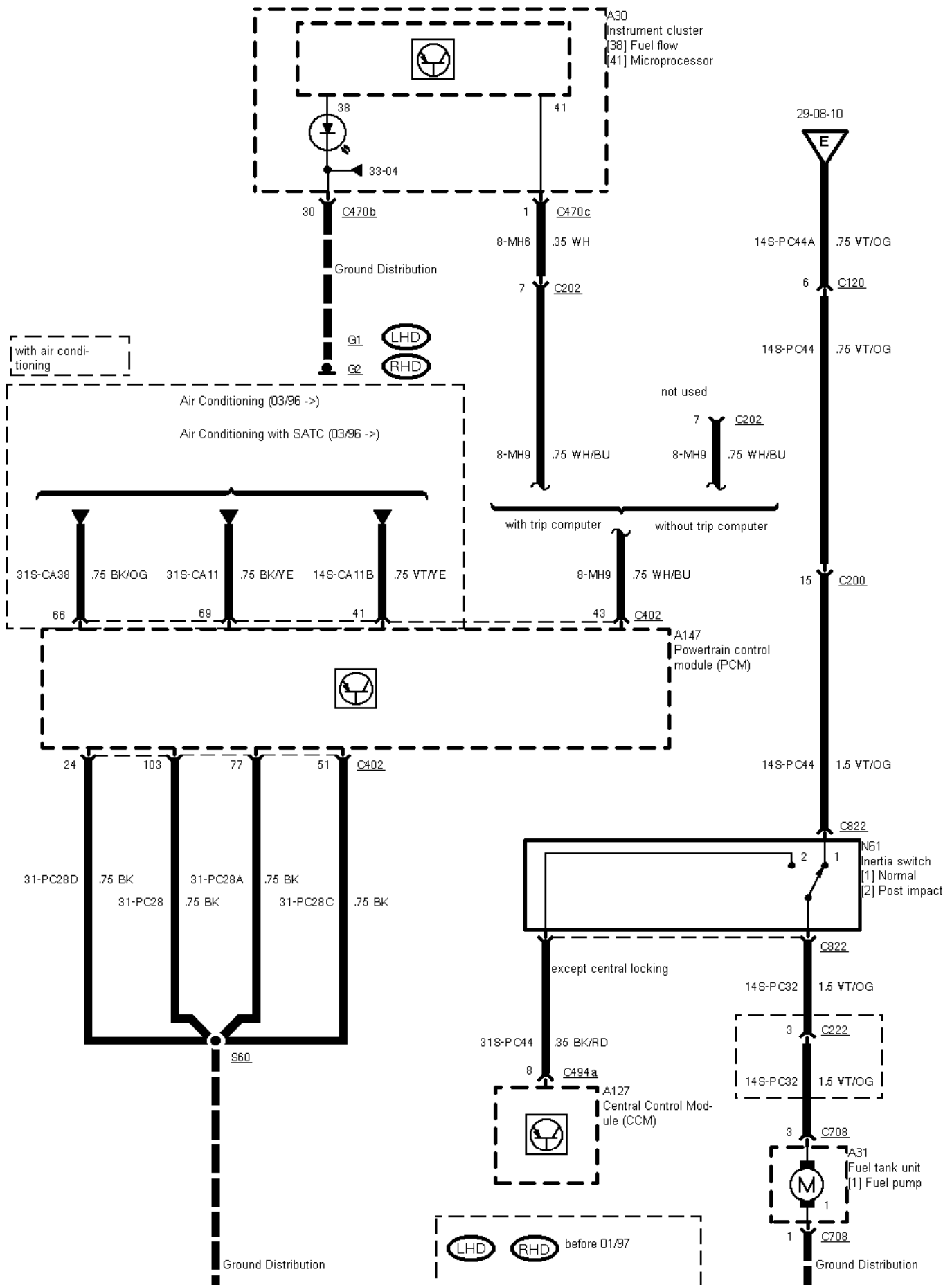




---

29-08-012 , Engine Control 2,3 I DOHC (Automatic Transmission)

---







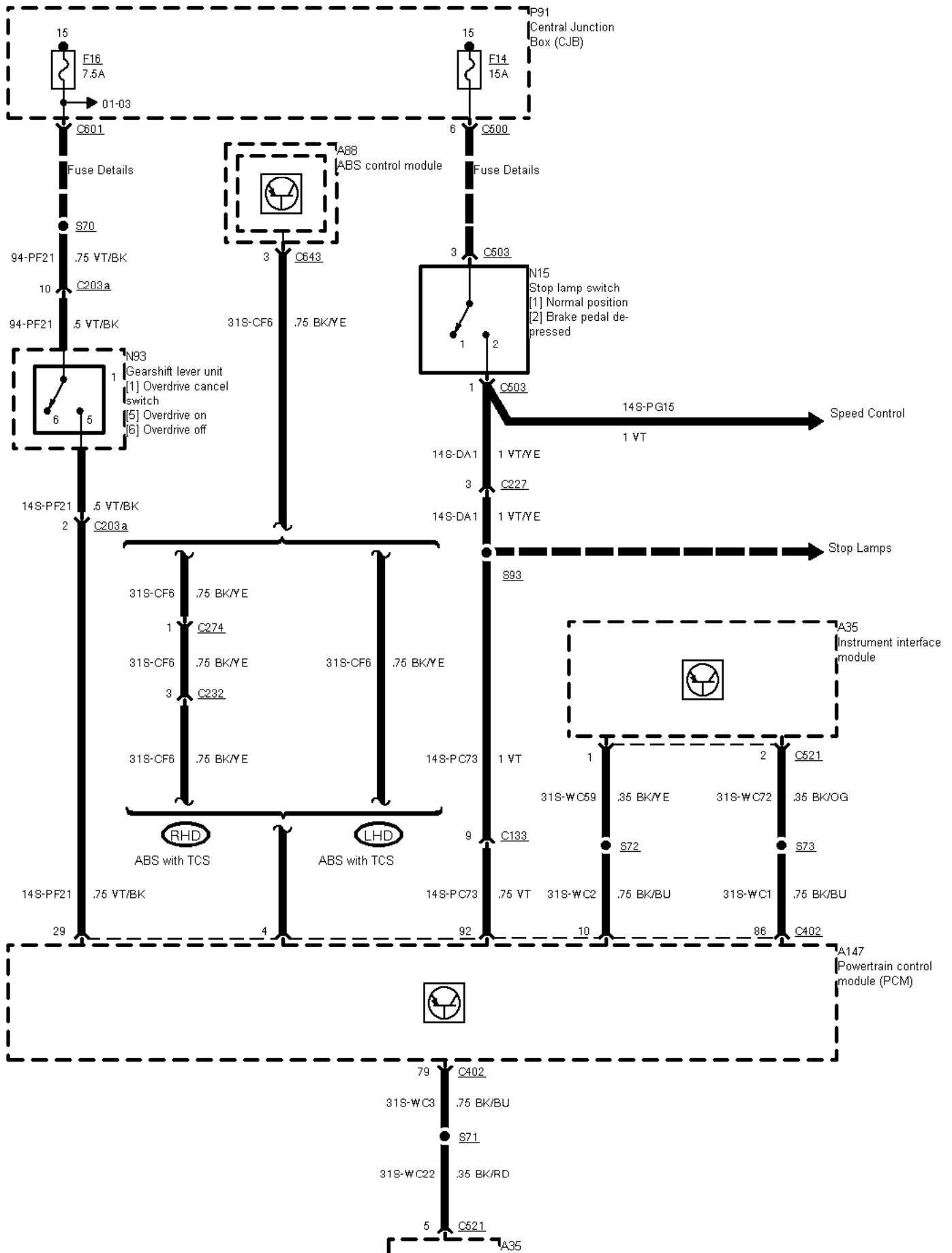
**RHD** higher option content from 01/97 to 04/97

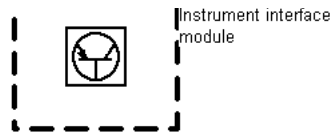


---

**29-08-013 , Engine Control 2,3 I DOHC (Automatic Transmission)**

---

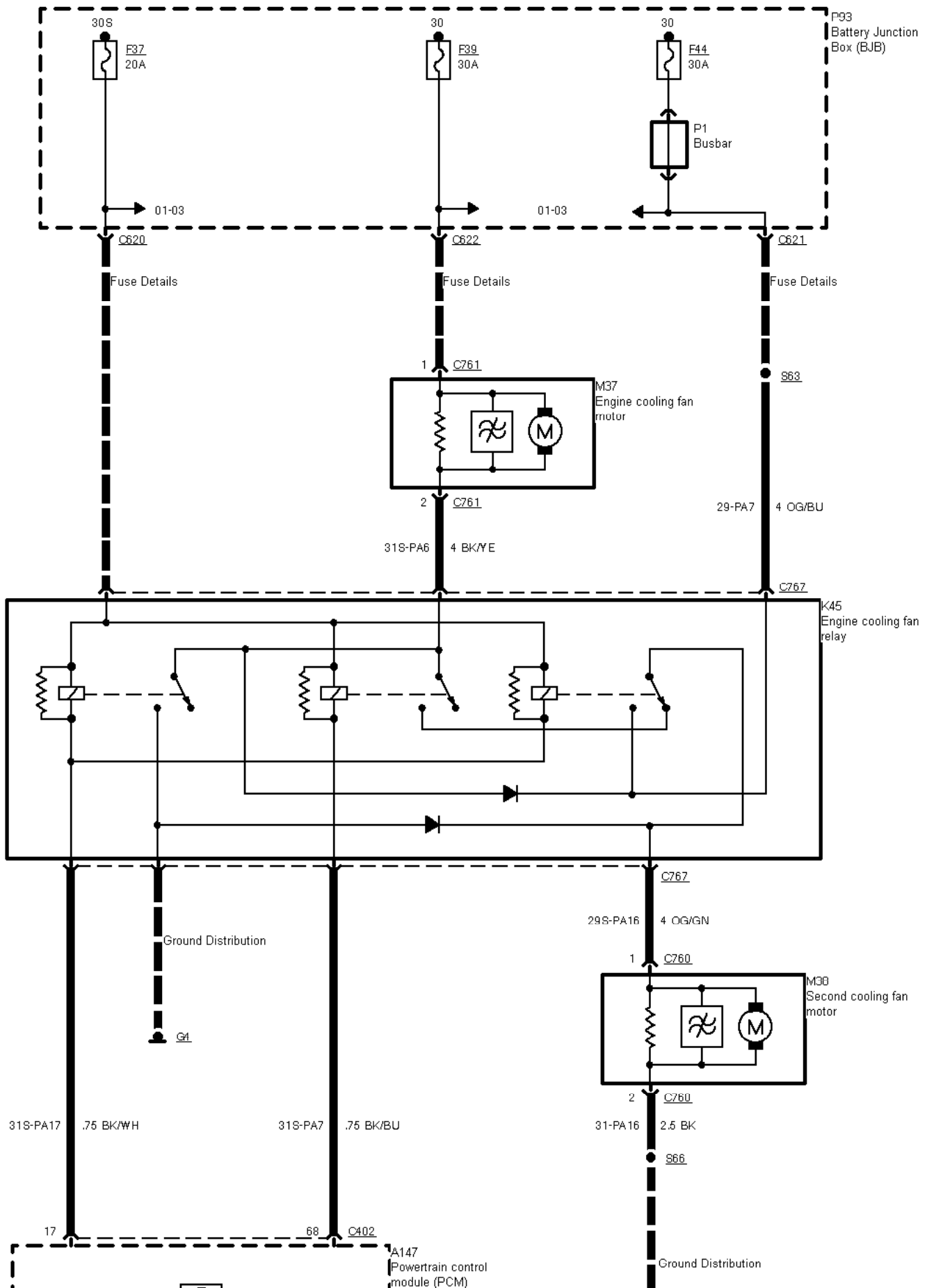




---

29-08-014 , Engine Control 2,3 I DOHC (Automatic Transmission) , Engine cooling fan

---





## 2 Circuit Description

---