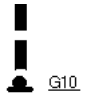
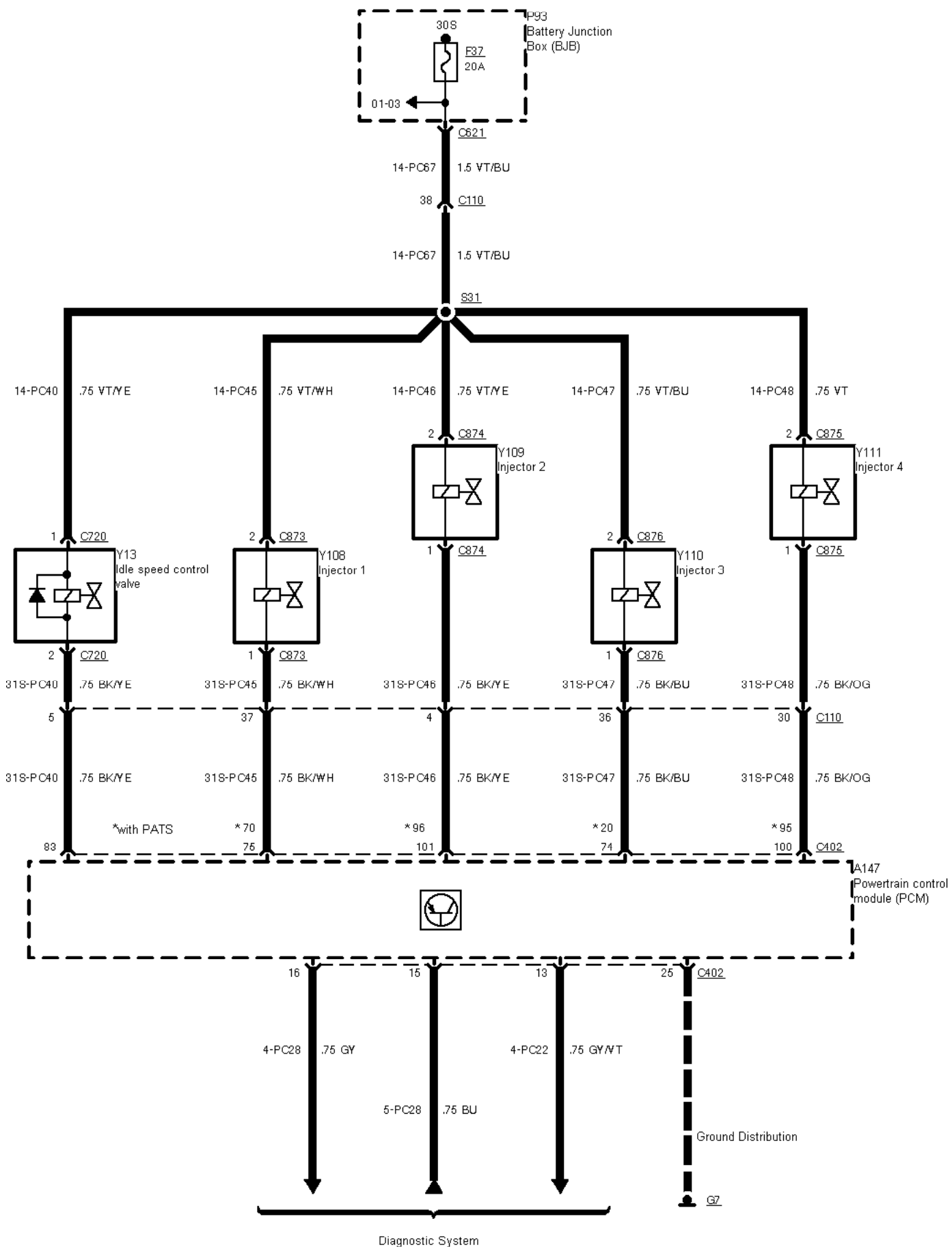

29-03-001 , Engine Control 2,0 I 16V EFI (Automatic Transmission) , Ignition



29-03-002 , Engine Control 2,0 I 16V EFI (Automatic Transmission) , Fuel injectors

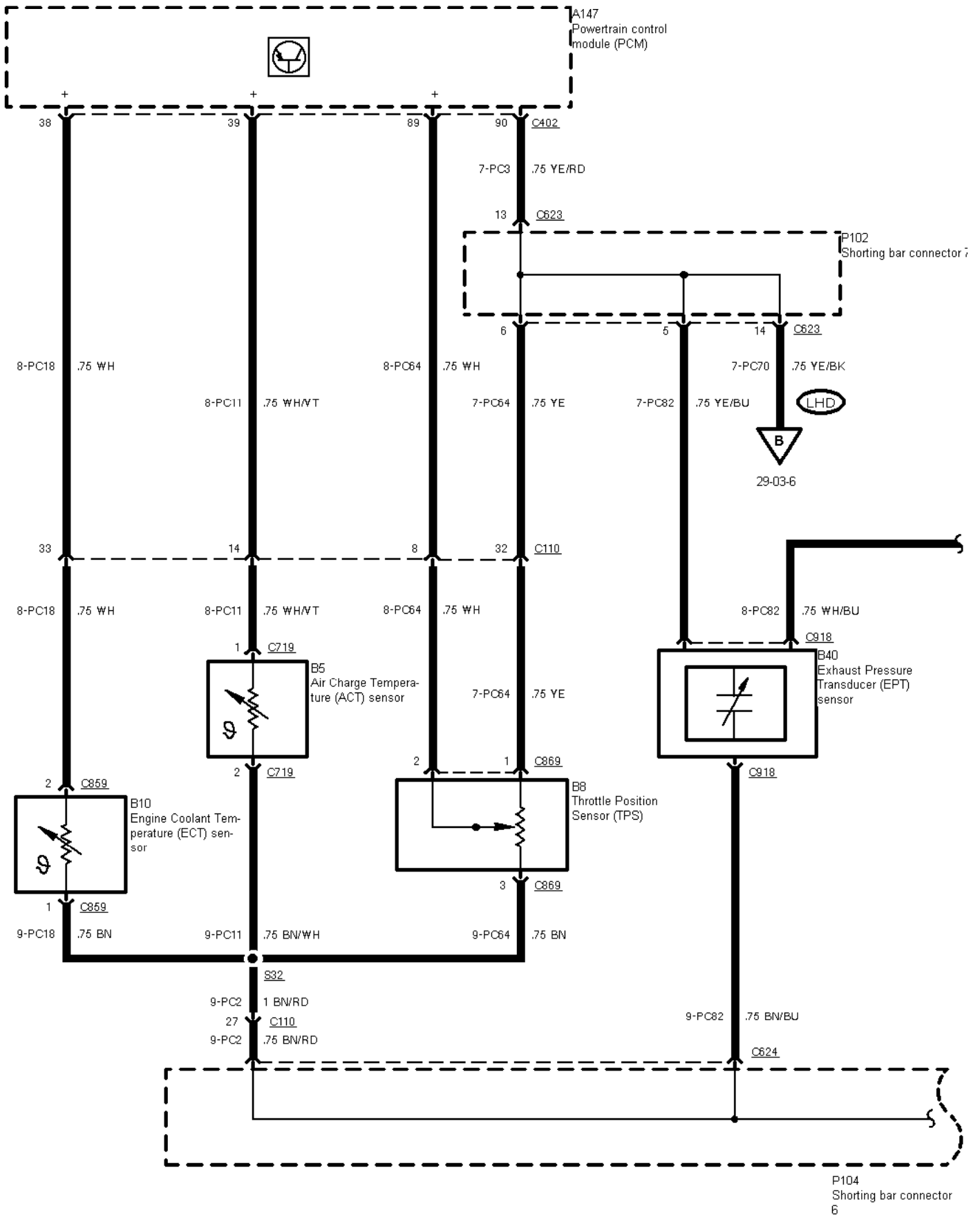


29-03-003 , Engine Control 2,0 I 16V EFI (Automatic Transmission)

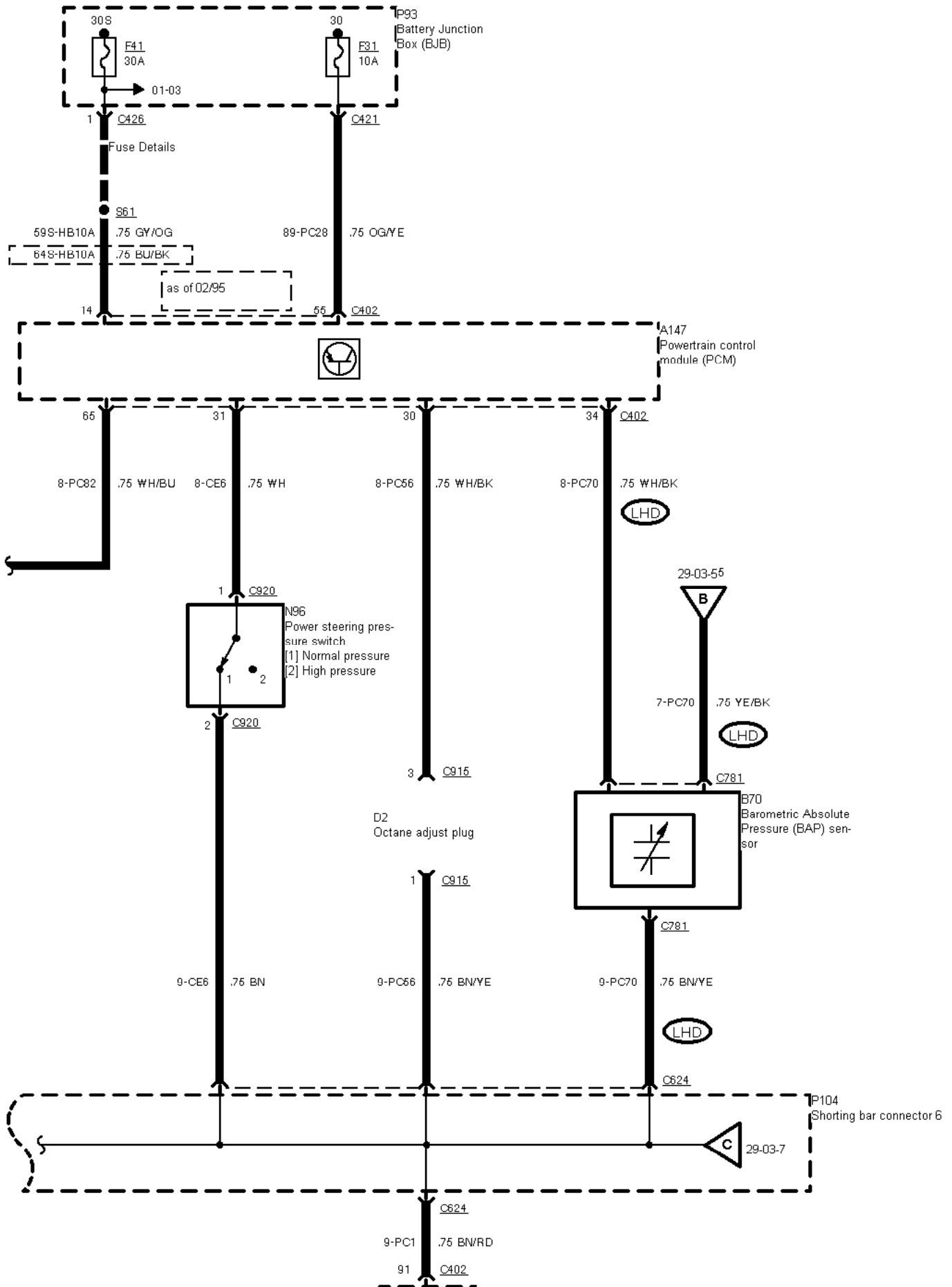
*with PATS

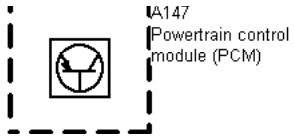
29-03-004 , Engine Control 2,0 I 16V EFI (Automatic Transmission)

29-03-005 , Engine Control 2,0 I 16V EFI (Automatic Transmission) , Sensors

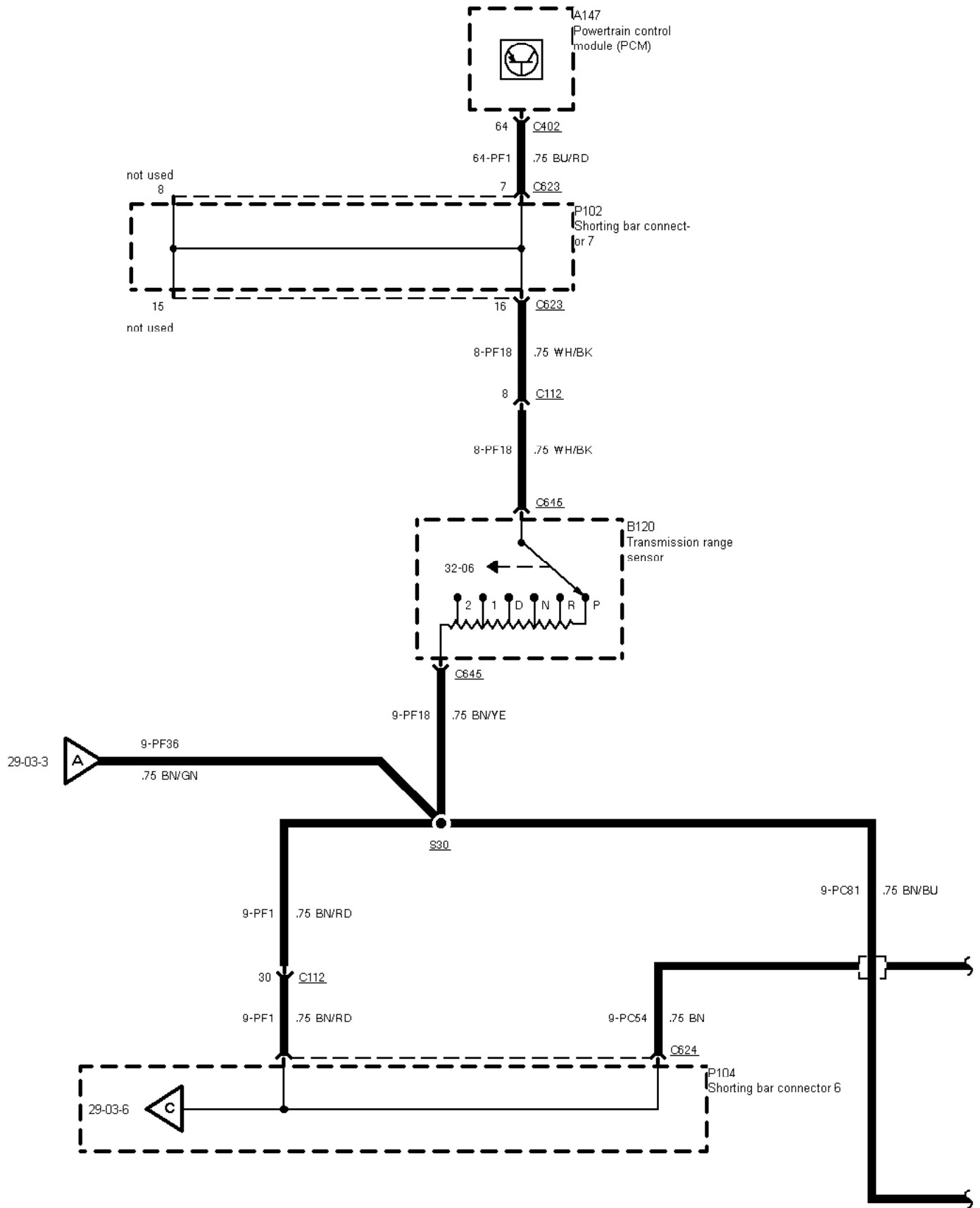


29-03-006 , Engine Control 2,0 I 16V EFI (Automatic Transmission)

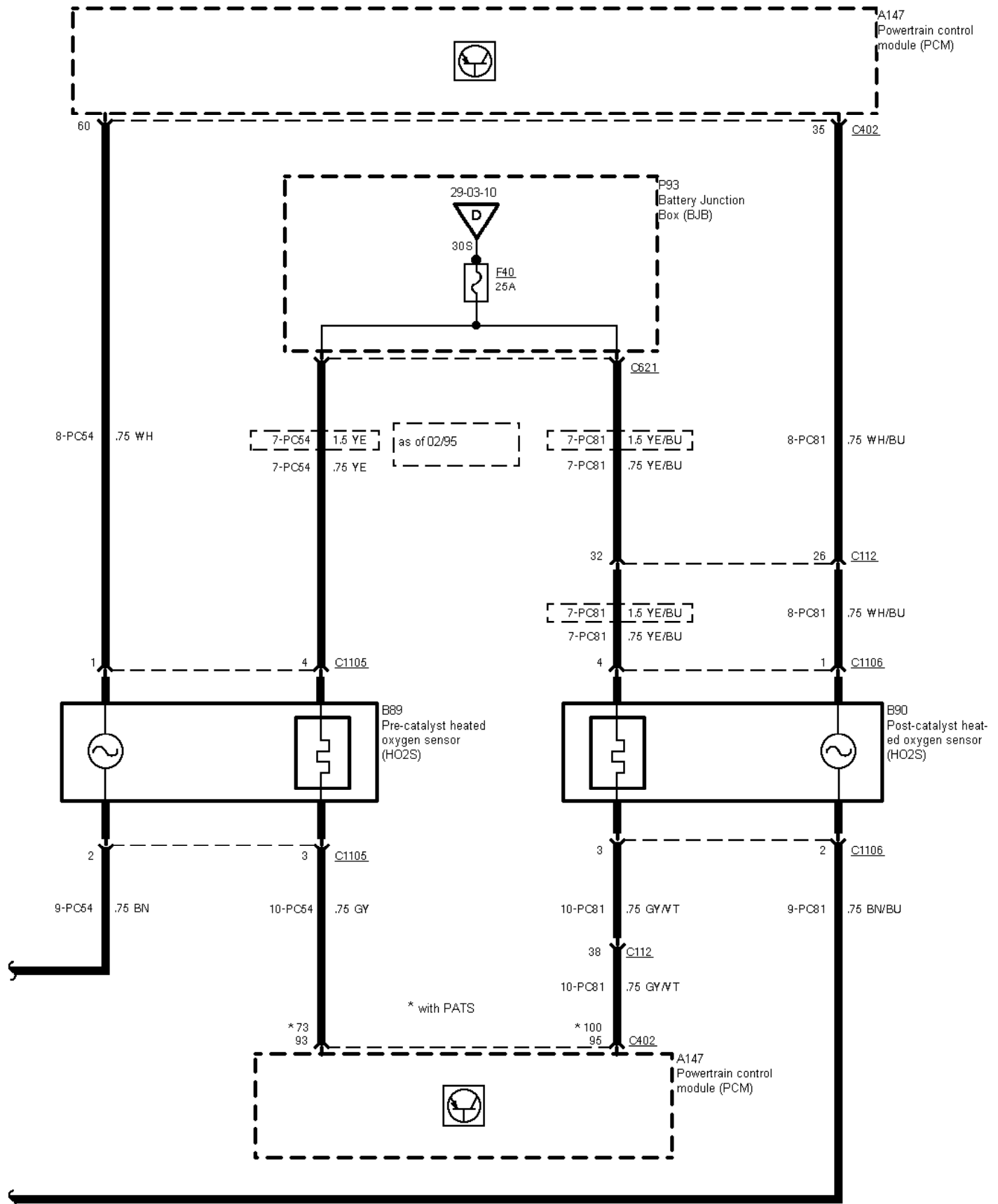




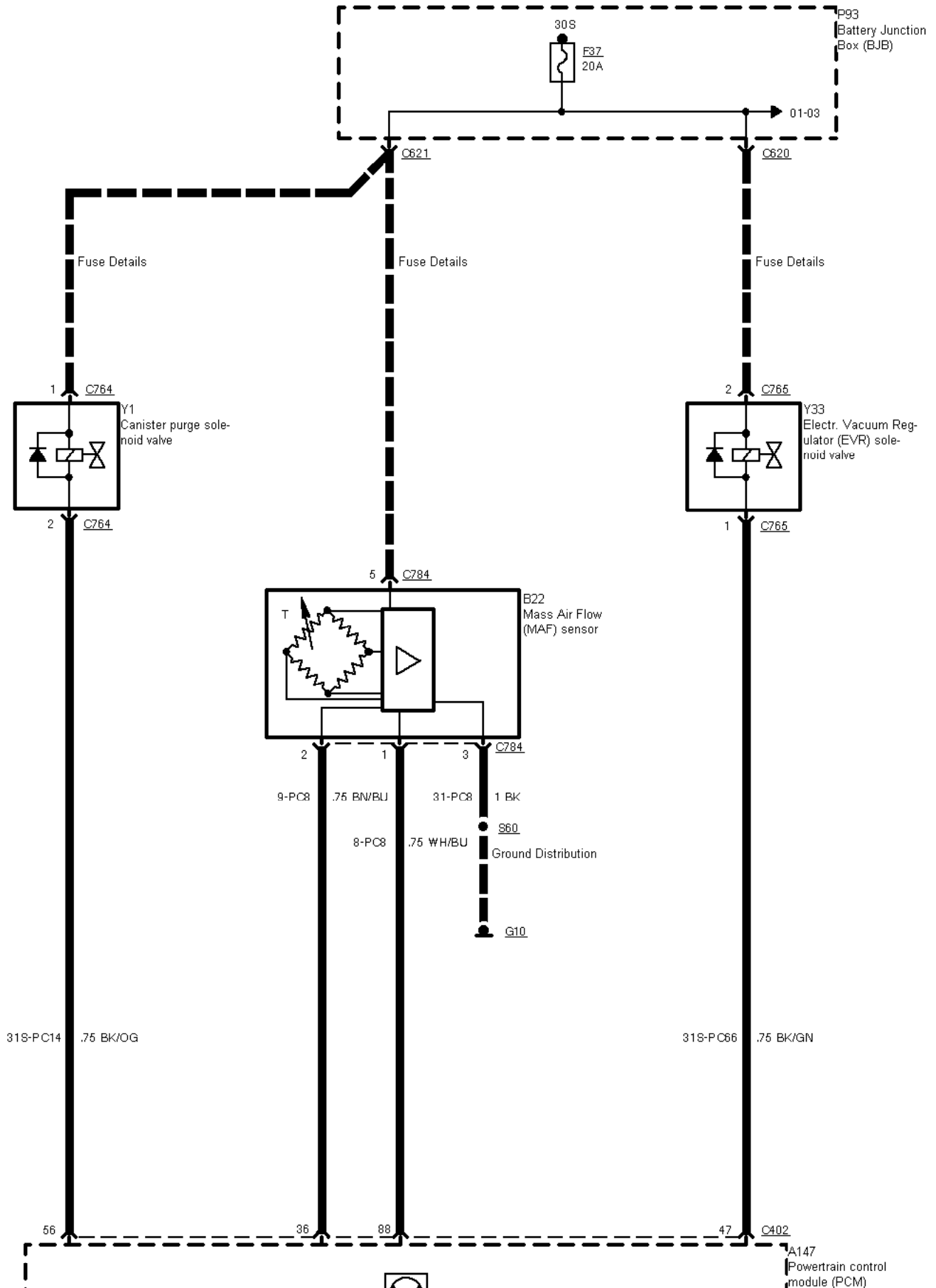
29-03-007 , Engine Control 2,0 I 16V EFI (Automatic Transmission)



29-03-008 , Engine Control 2,0 I 16V EFI (Automatic Transmission) , Sensors

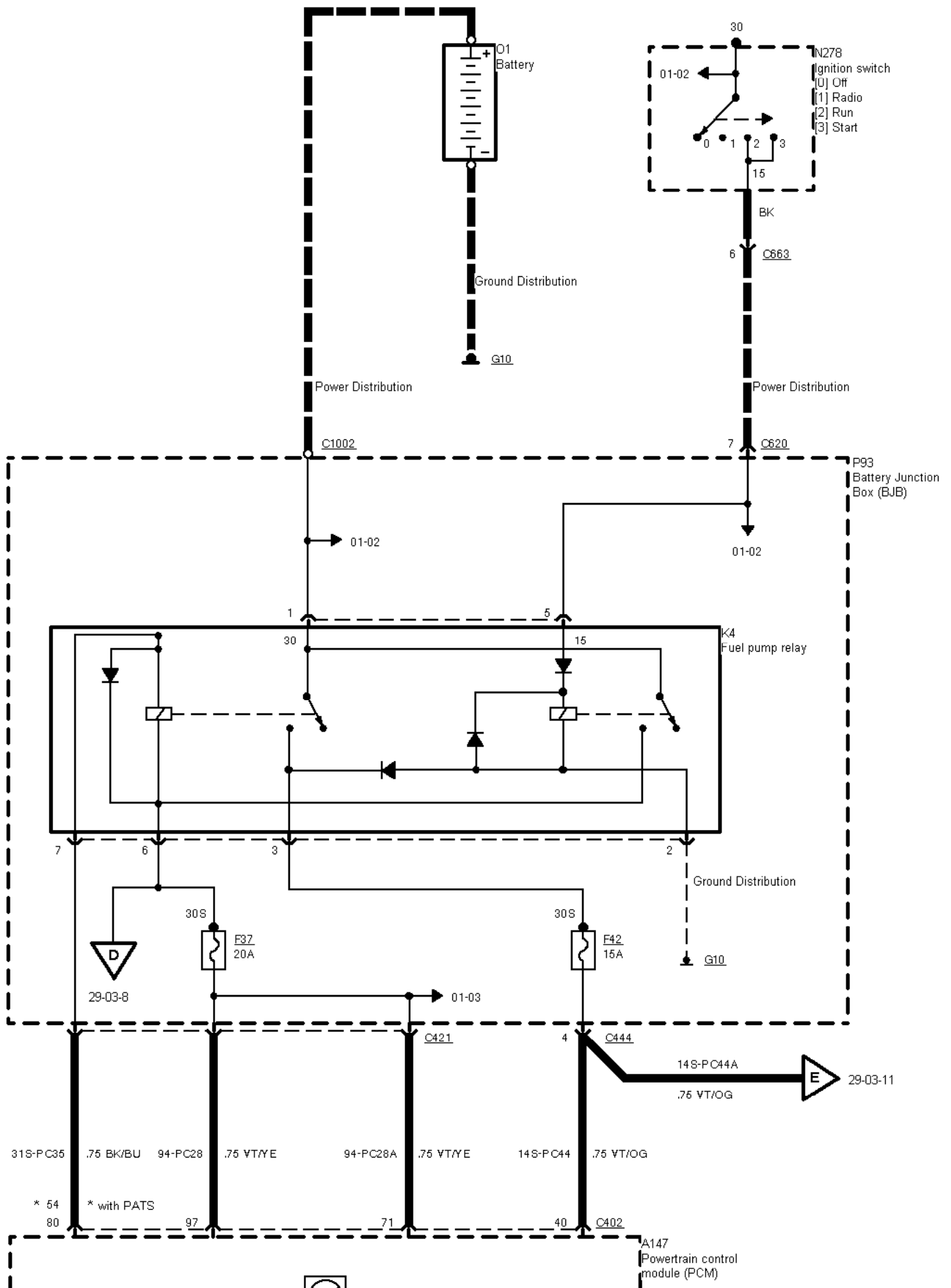


29-03-009 , Engine Control 2,0 I 16V EFI (Automatic Transmission)





29-03-010 , Engine Control 2,0 I 16V EFI (Automatic Transmission)

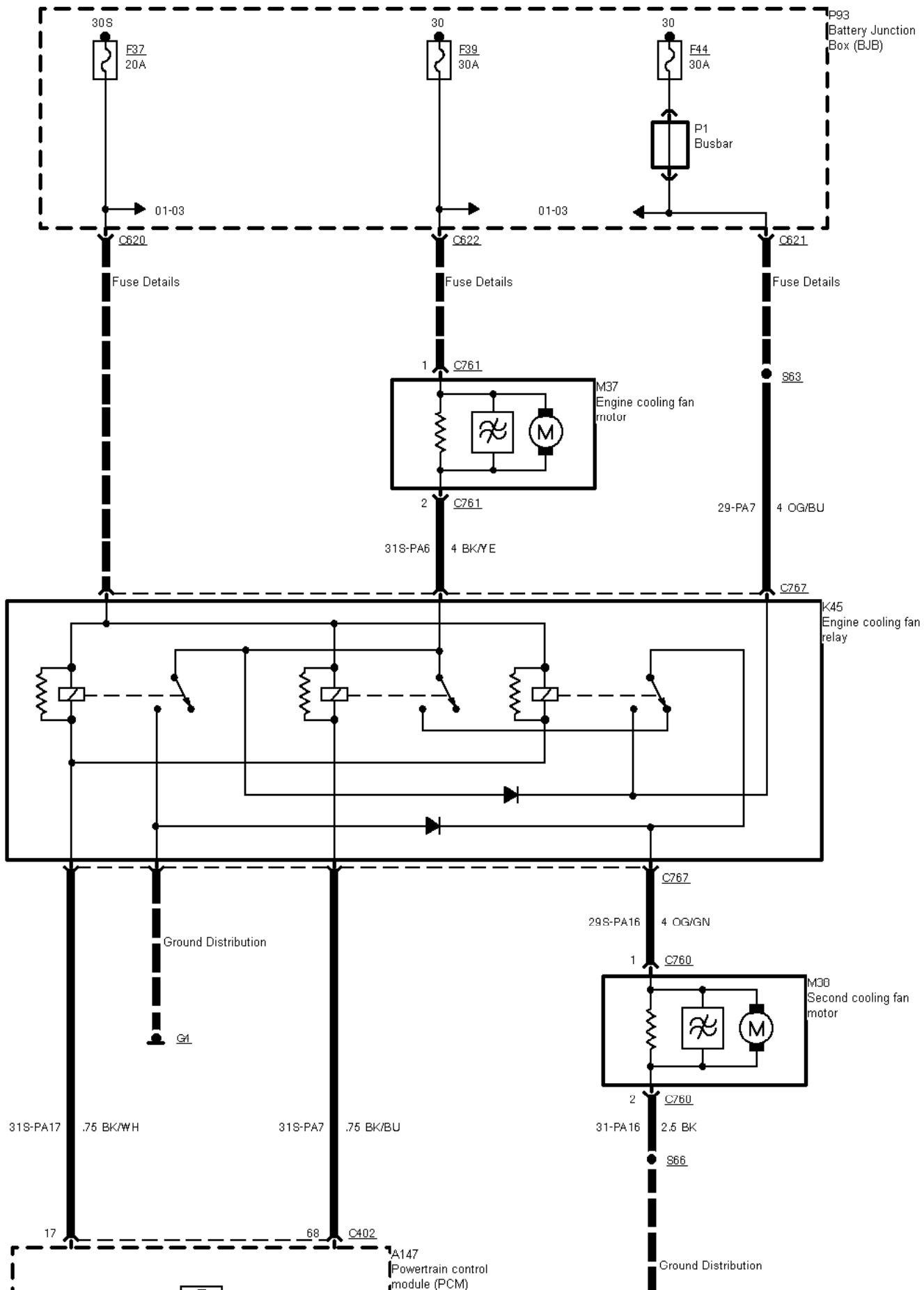


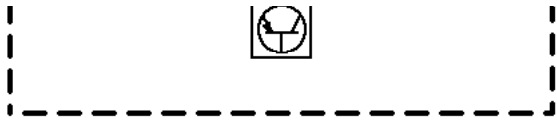


29-03-011 , Engine Control 2,0 I 16V EFI (Automatic Transmission)

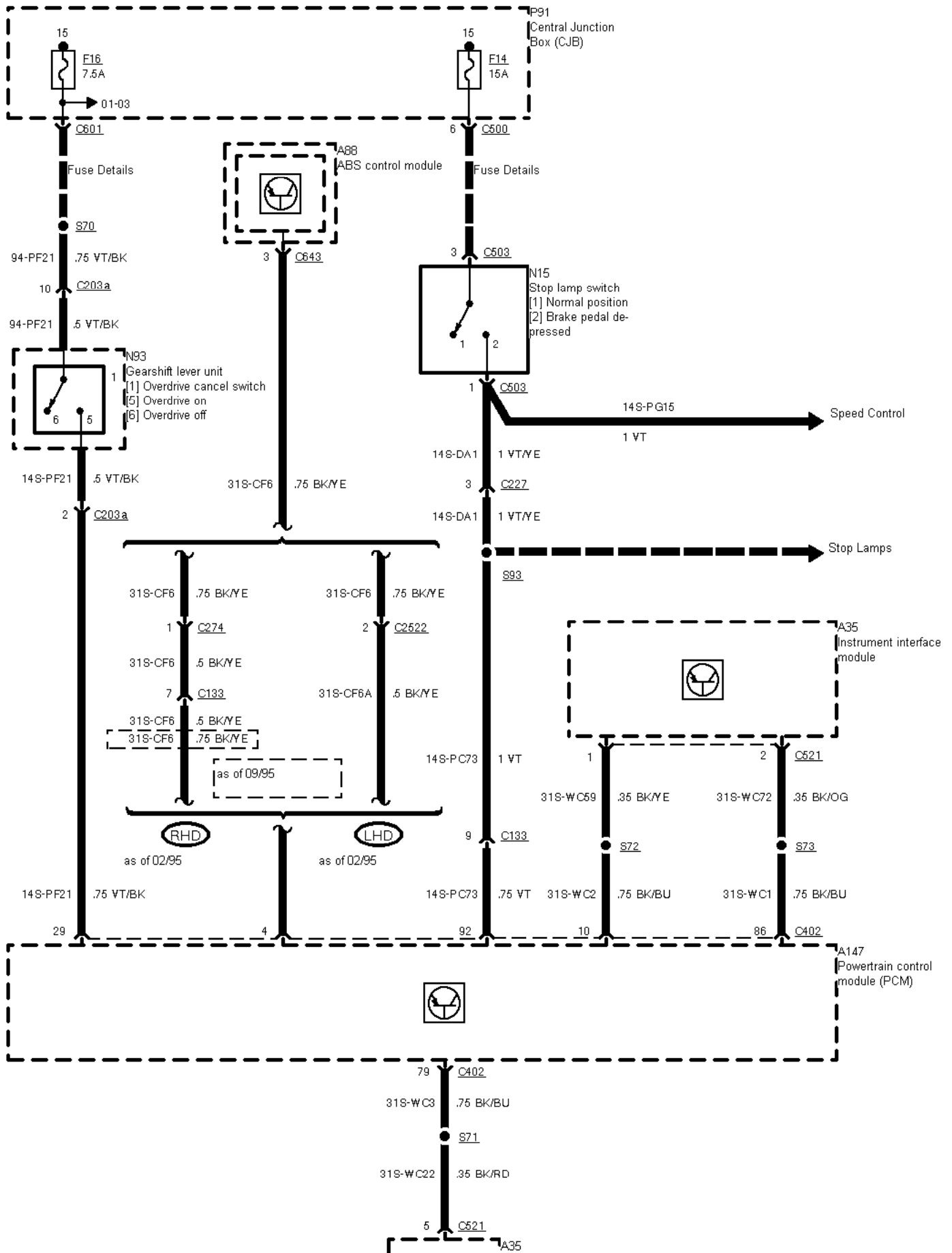


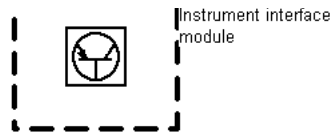
29-03-012 , Engine Control 2,0 I 16V EFI (Automatic Transmission) , Engine cooling fan





29-03-013 , Engine Control 2,0 I 16V EFI (Automatic Transmission)





2 Circuit Description
