

Oil Pressure – Engine Hot – Check (21 113 0)

Proprietary Tools

Oil pressure test gauge GV 2134

Connector 39

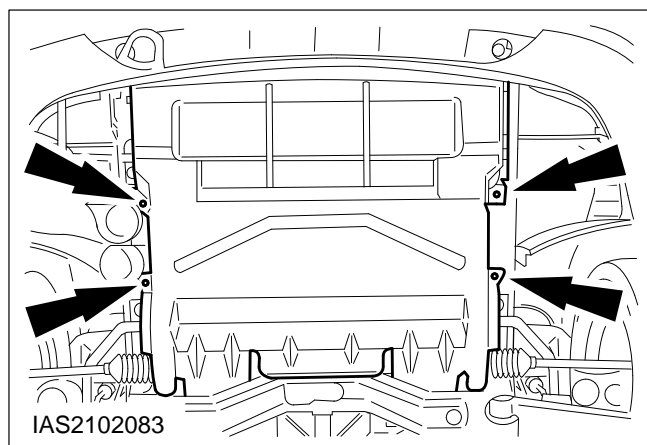
Check the oil pressure

1. General notes.

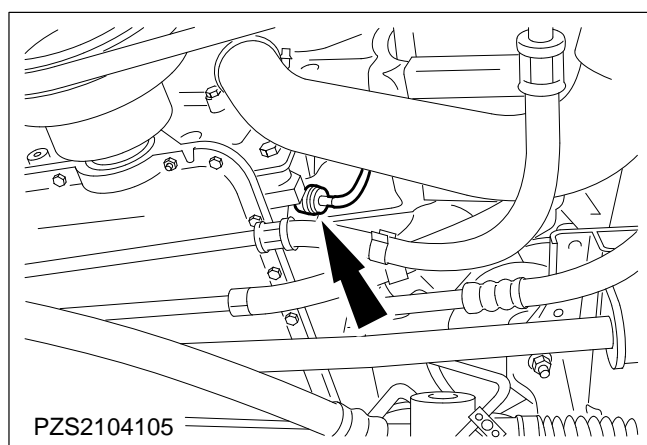
- The oil pressure reading depends on a number of factors (engine speed, oil temperature, oil viscosity, degree of oil filter soiling etc.).
- The measurement should always be taken with the oil at a temperature of between 80 °C and 90 °C.

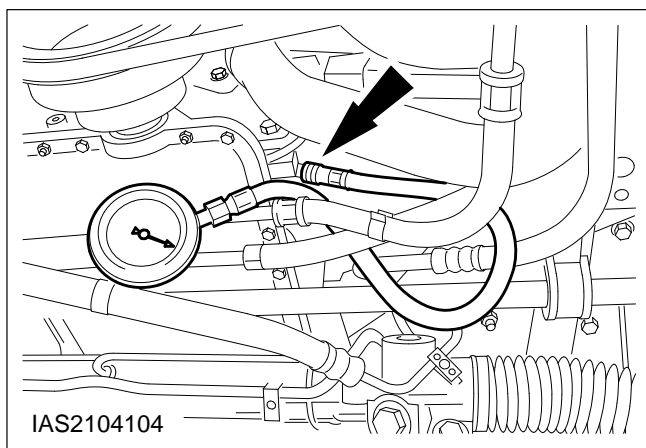
2. Raise the vehicle.

3. Detach the engine undershield.

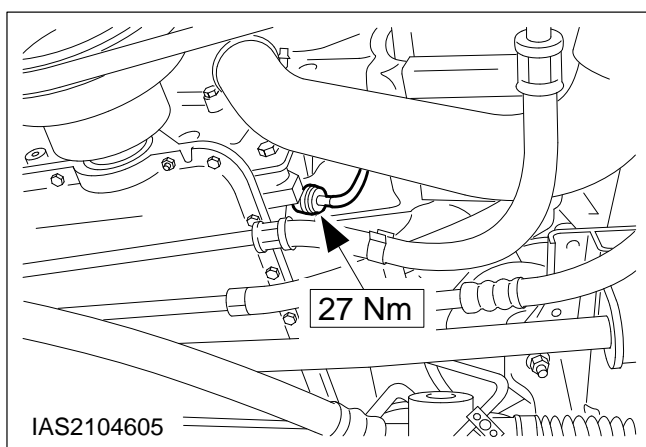


4. Remove the oil pressure switch.

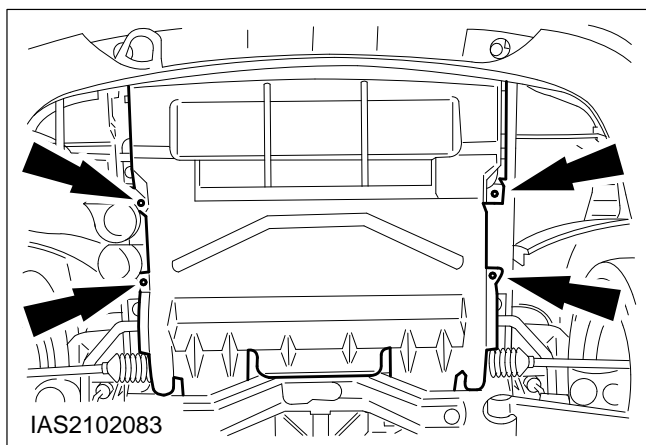




5. **Attach the oil pressure test gauge with the connector.**
6. **Check the oil pressure.**
 - Start the engine and measure the oil pressure at idle and at 2000 rev/min.
 - The oil pressure at idle should be at least 1 bar.
 - The oil pressure at engine speeds higher than 2000 rev/min should not exceed 5 bar.



7. **Detach the oil pressure test gauge with the connector.**
8. **Fit the oil pressure switch.**



9. **Attach the engine undershield.**