

Oil Pressure – Check (engine hot) (21 113 0)

Workshop Equipment

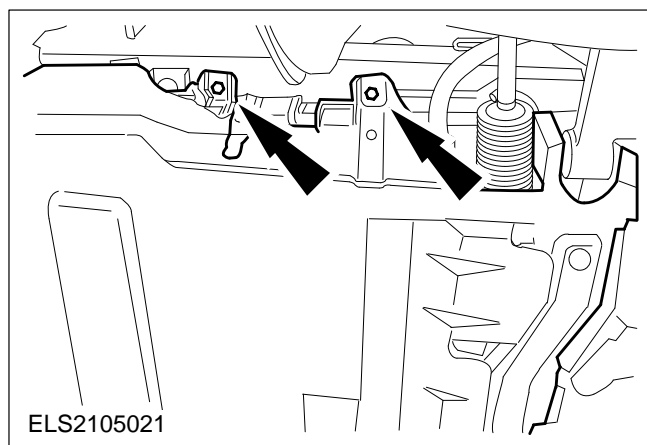
Oil pressure gauge	GV 2134
Oil pressure gauge adapter	

Check oil pressure

1. General notes.

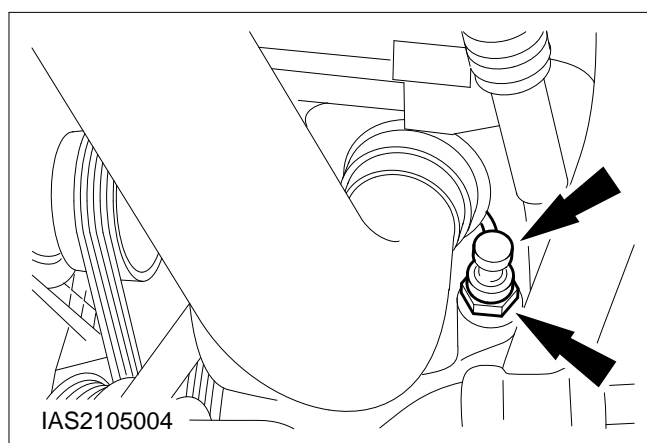
- The oil pressure depends on various factors (engine speed, oil temperature, oil viscosity, degree of contamination of the oil filter, bearing clearances etc.).
- The measurement should be carried out at an oil temperature of 80° to 90° C.

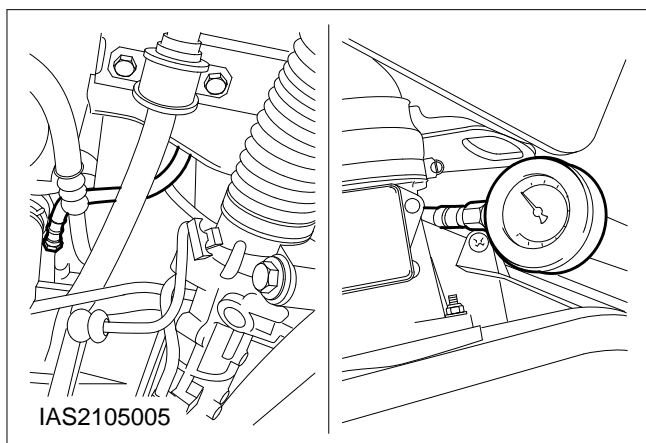
2. Detach the engine undershield (left-hand side shown).



NOTE: Escaping oil.

3. Disconnect the plug for the oil pressure switch and remove the oil pressure switch.



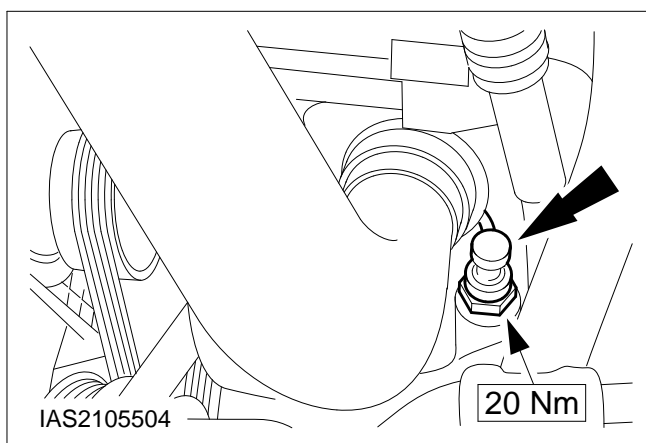


4. Check the oil pressure.

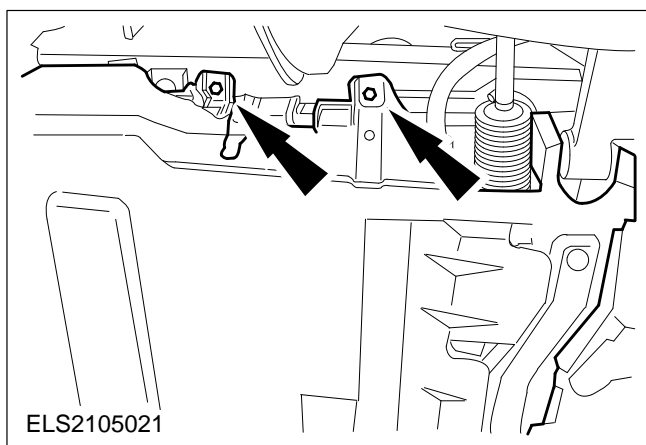
- Fit the oil pressure gauge with the adapter and pull it upwards.
- Lower the vehicle and start the engine.
- At idle speed the oil pressure should be at least 0,9 bar.
- At 1500 rev/min the oil pressure should be at least 2,0 bar.

NOTE: Escaping oil.

5. Detach the oil pressure test gauge with the connector.



6. Fit the oil pressure switch and connect the oil pressure switch plug.



7. Attach the engine undershield (left-hand side shown).