

Exhaust Manifold – Remove and Install – Left-hand Cylinder Head (21 187 0)

Materials

Cable ties	
------------	--

Remove

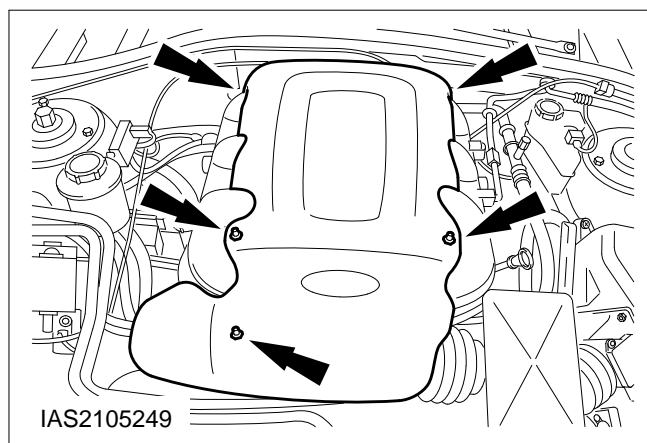
1. Standard preparatory operations

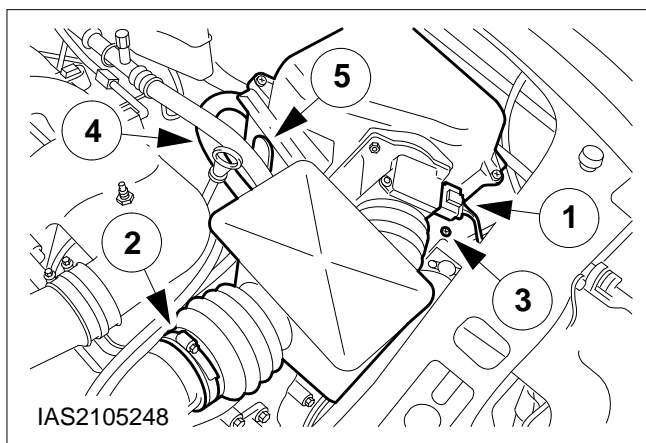
- Make a note of the radio keycode.
- Make a note of the preset radio stations.
- Lay protective covers over the fenders.
- Detach the battery cover.

⚠ CAUTION: Disconnect the battery ground lead.

- If necessary cut the cable ties and renew them on installation.

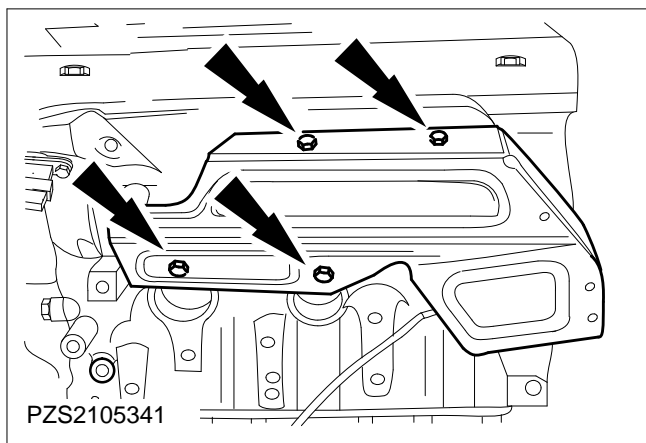
2. Remove the intake system cover.



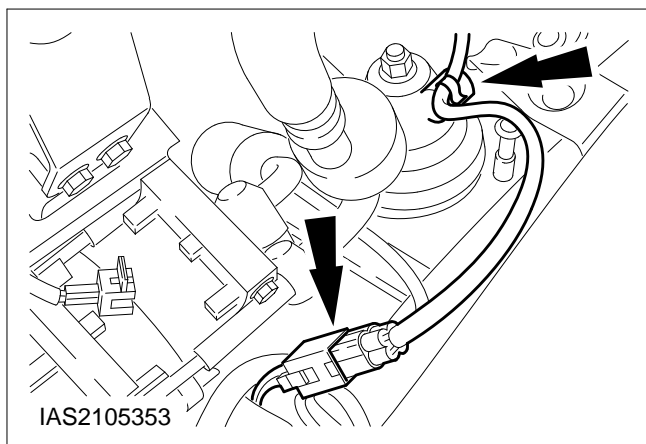


3. Remove the air cleaner.

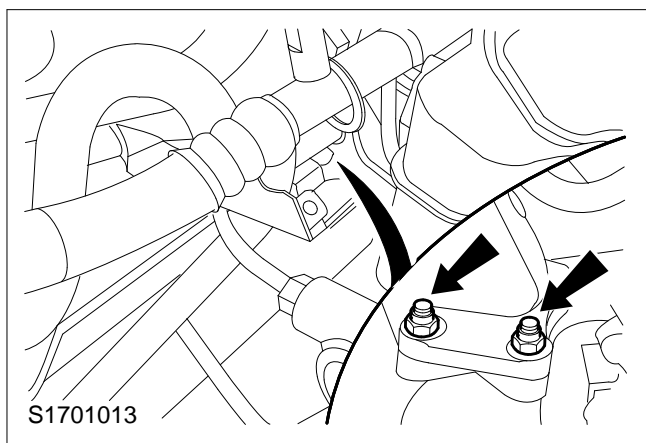
- 1 Detach the mass air flow (MAF) sensor plug.
 - 2 Remove the intake hose.
 - 3 Remove the bolt from the intake pipe.
 - 4 Remove the positive crankcase ventilation (PCV) hose.
 - 5 Remove the two rubber retainers.
- Pull the air cleaner off the intake pipe and pull it upwards out of the grommets on the body.



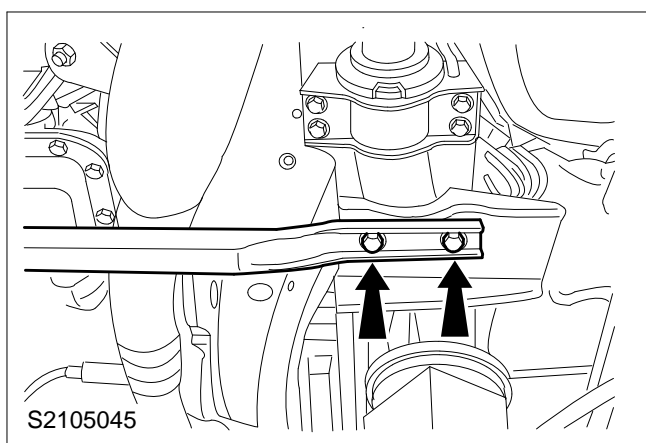
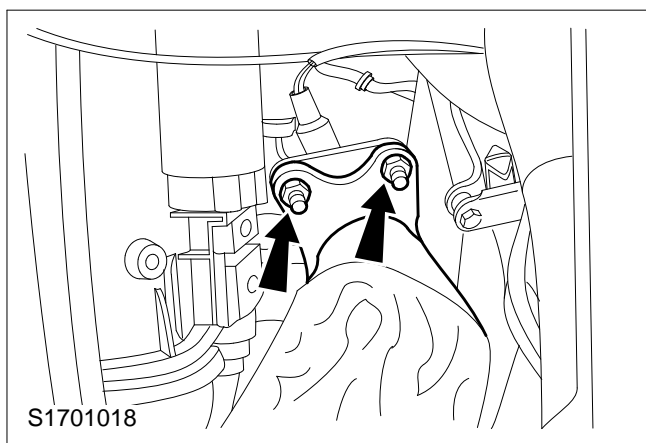
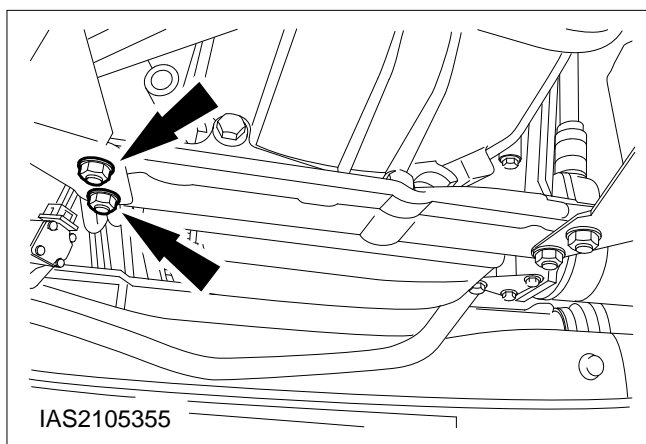
4. Detach the left-hand heat shield.



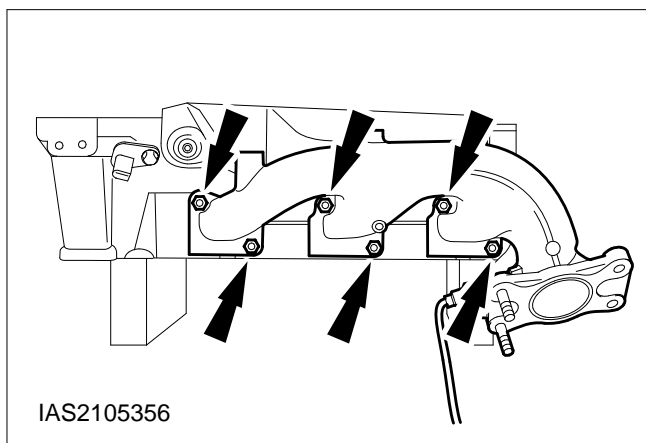
5. Disconnect the HO2S sensors and detach them from the engine mounting.

**6. Remove the upper exhaust manifold nuts.**

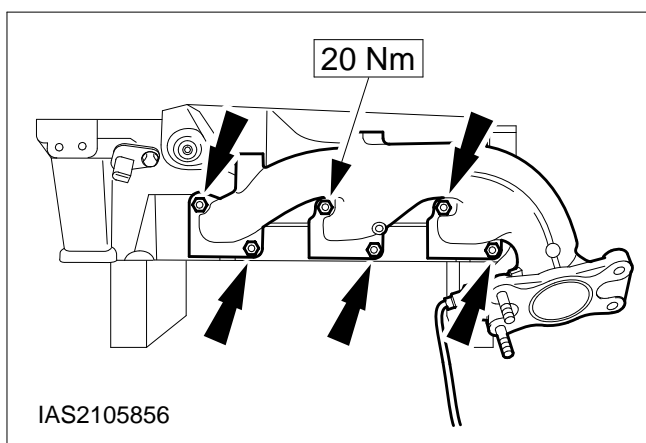
Raise the vehicle.

**7. Detach the transverse brace from the front crossmember.****8. Remove the lower exhaust manifold nuts.****9. Detach the left-hand catalytic converter from the bracket.**

Lower the vehicle.

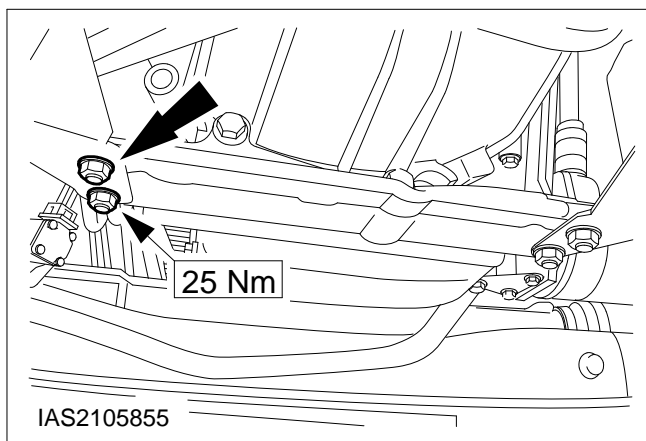


10. Remove the exhaust manifold.



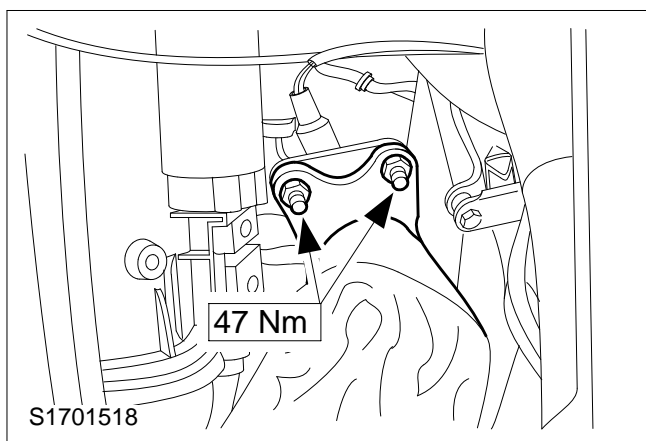
Install

11. Fit the exhaust manifold with new gaskets.

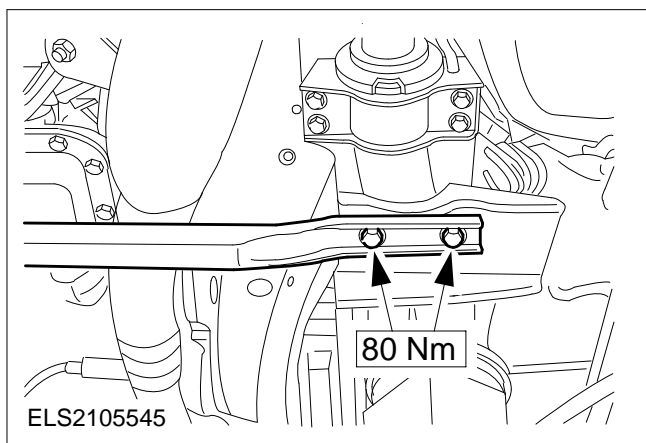


12. Attach the left-hand catalytic converter to the bracket.

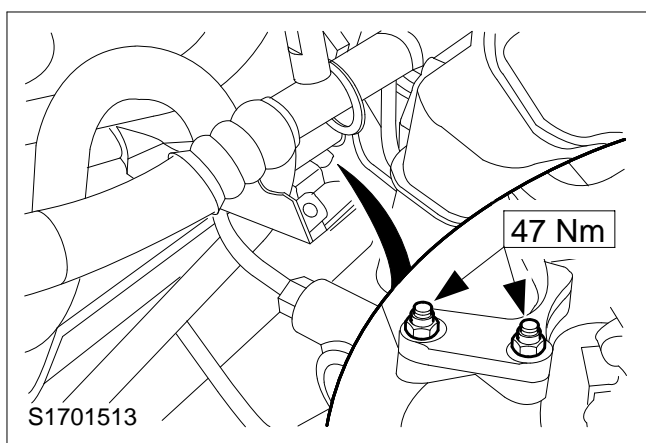
Raise the vehicle.



13. Fit the lower exhaust manifold nut.

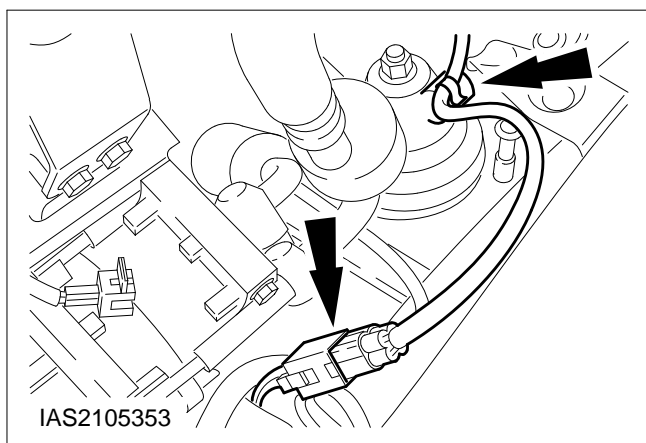


14. Attach the transverse brace to the front crossmember.

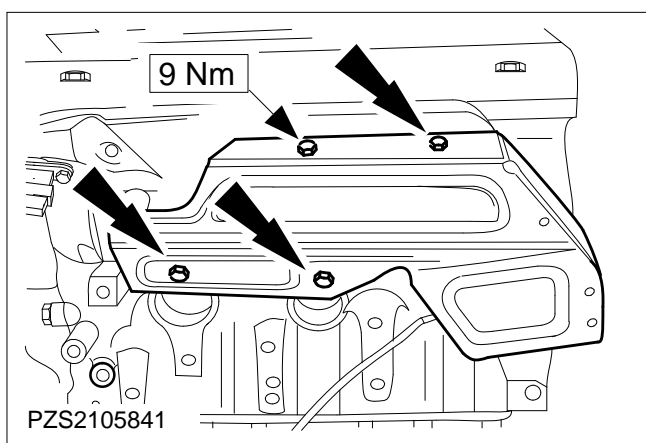


15. Fit the upper exhaust manifold nuts.

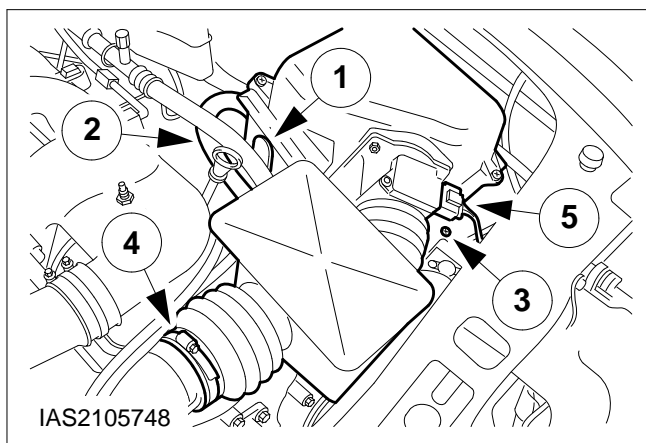
Lower the vehicle.



16. Connect the HO2s multiplug and attach it to the engine mounting.

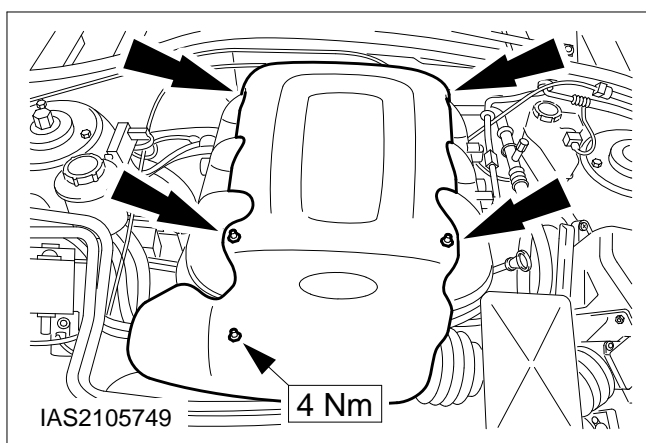


17. Attach the left-hand heat shield.

**18. Fit the air cleaner.**

- Push the air cleaner into the grommets on the body and onto the intake pipe.

- 1 Fit the two rubber retainers.
 - 2 Attach the PCV hose.
 - 3 Insert the bolt for the intake pipe.
 - 4 Fit the intake hose.
 - 5 Attach the MAF sensor plug.
- Raise the vehicle.

**19. Fit the intake system cover.**