

SYSTEM WIRING DIAGRAMS

Audi - 100

AIR CONDITIONING

www.Mitchell-Auto.ru

1993 Audi 100

SYSTEM WIRING DIAGRAMS Audi - 100

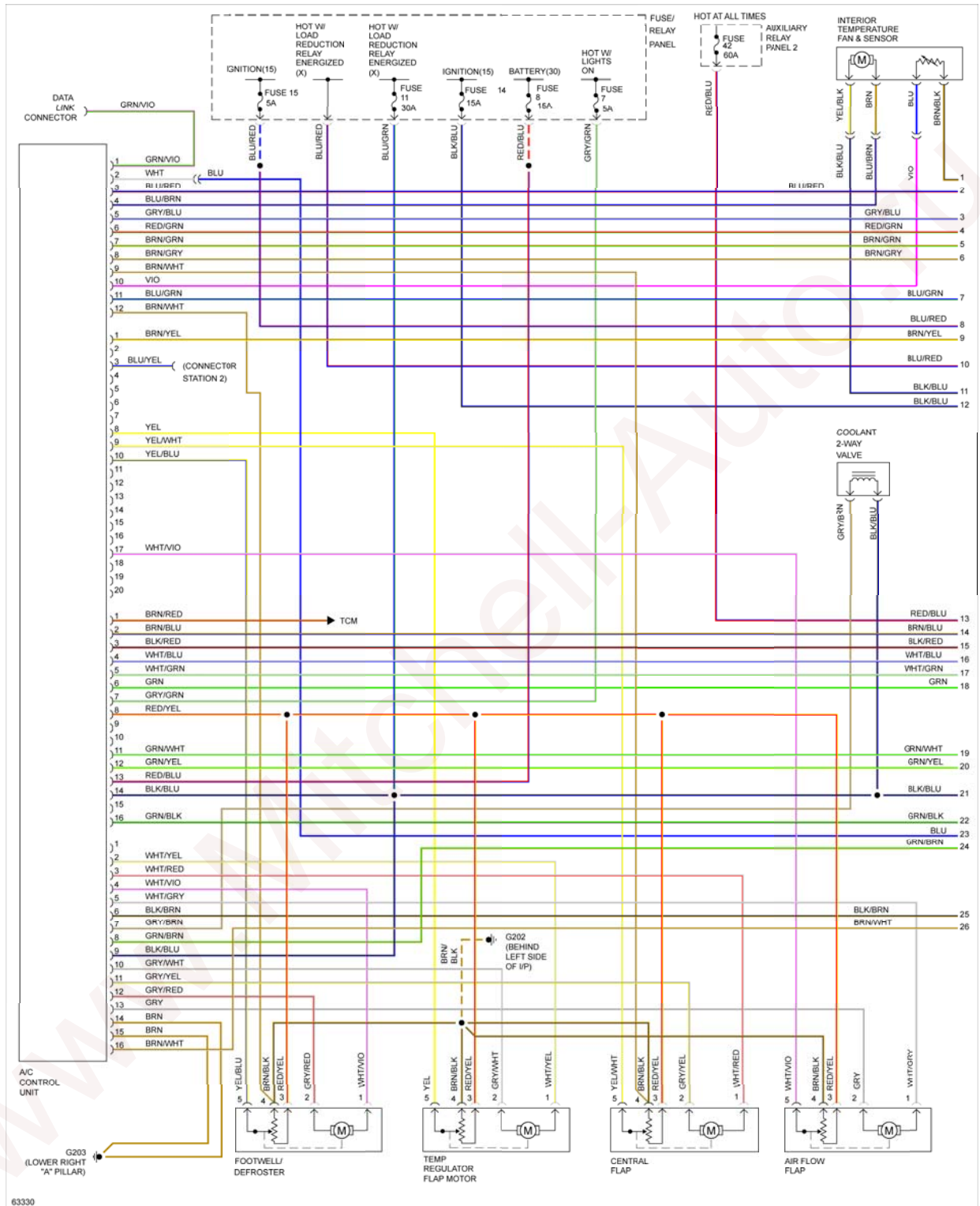


Fig. 1: A/C-Heater System Wiring Diagram (100 CS Circuit 1 Of 2)

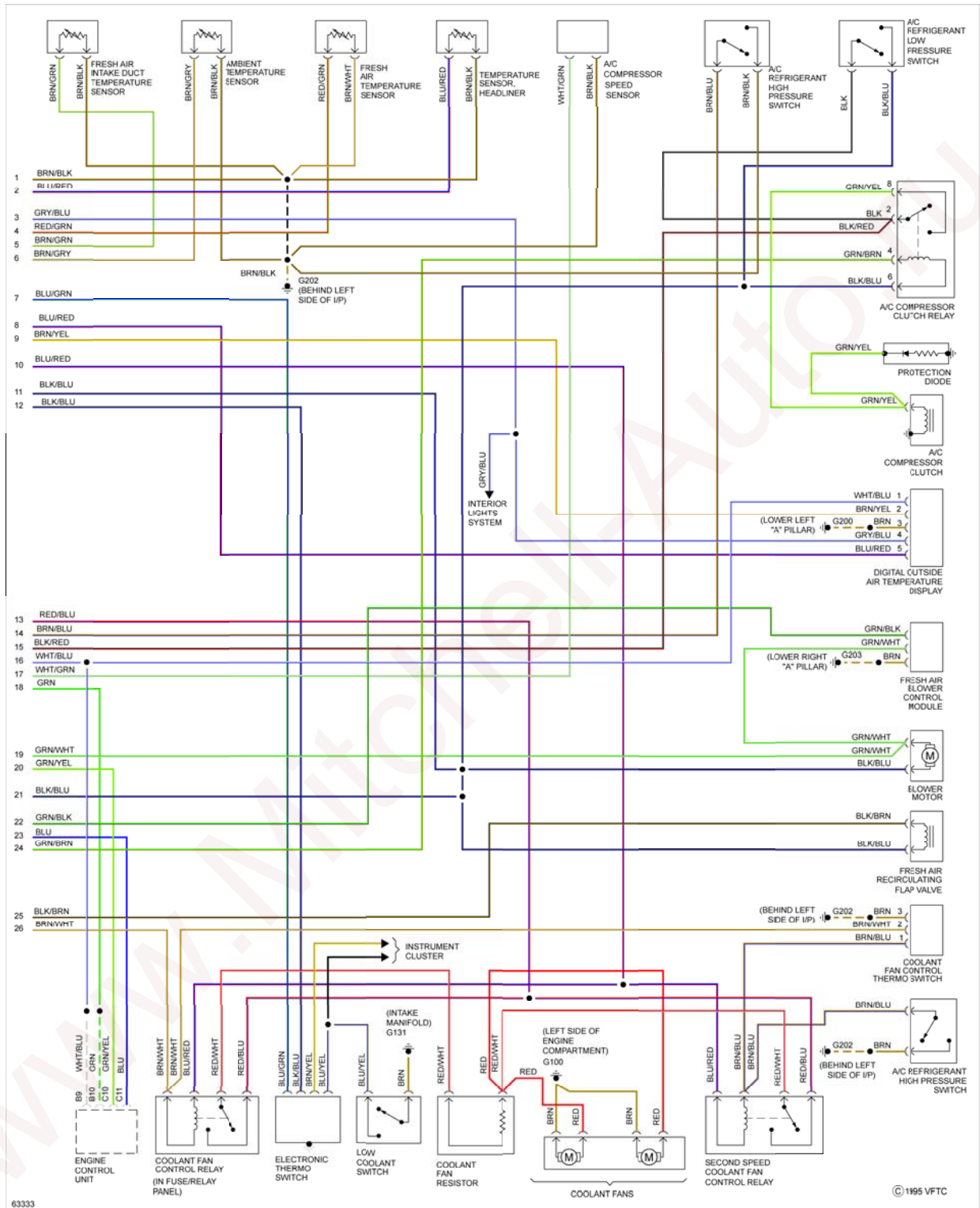


Fig. 2: A/C-Heater System Wiring Diagram (100 CS Circuit 2 Of 2)

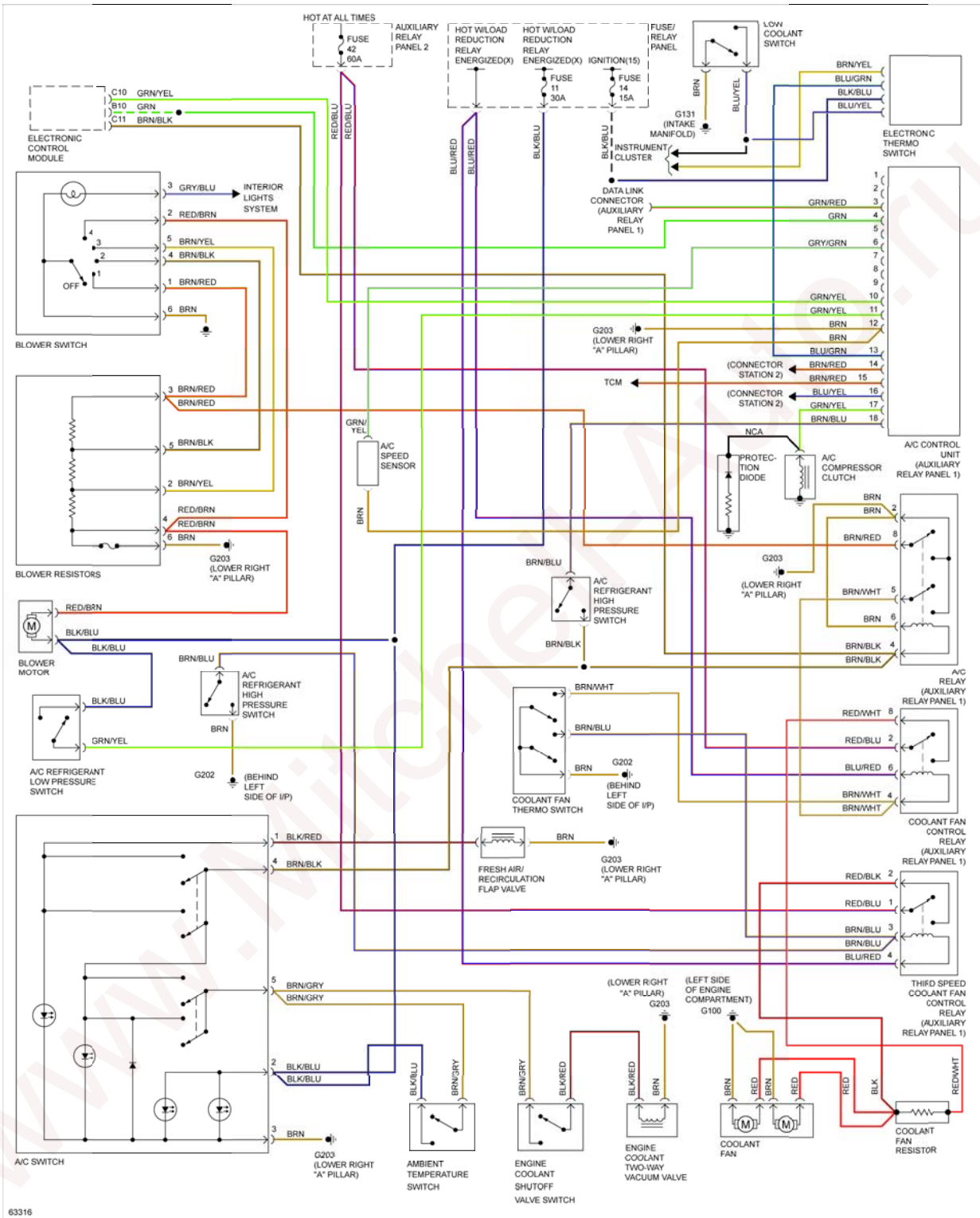


Fig. 3: Manual A/C Circuit

COOLING FAN

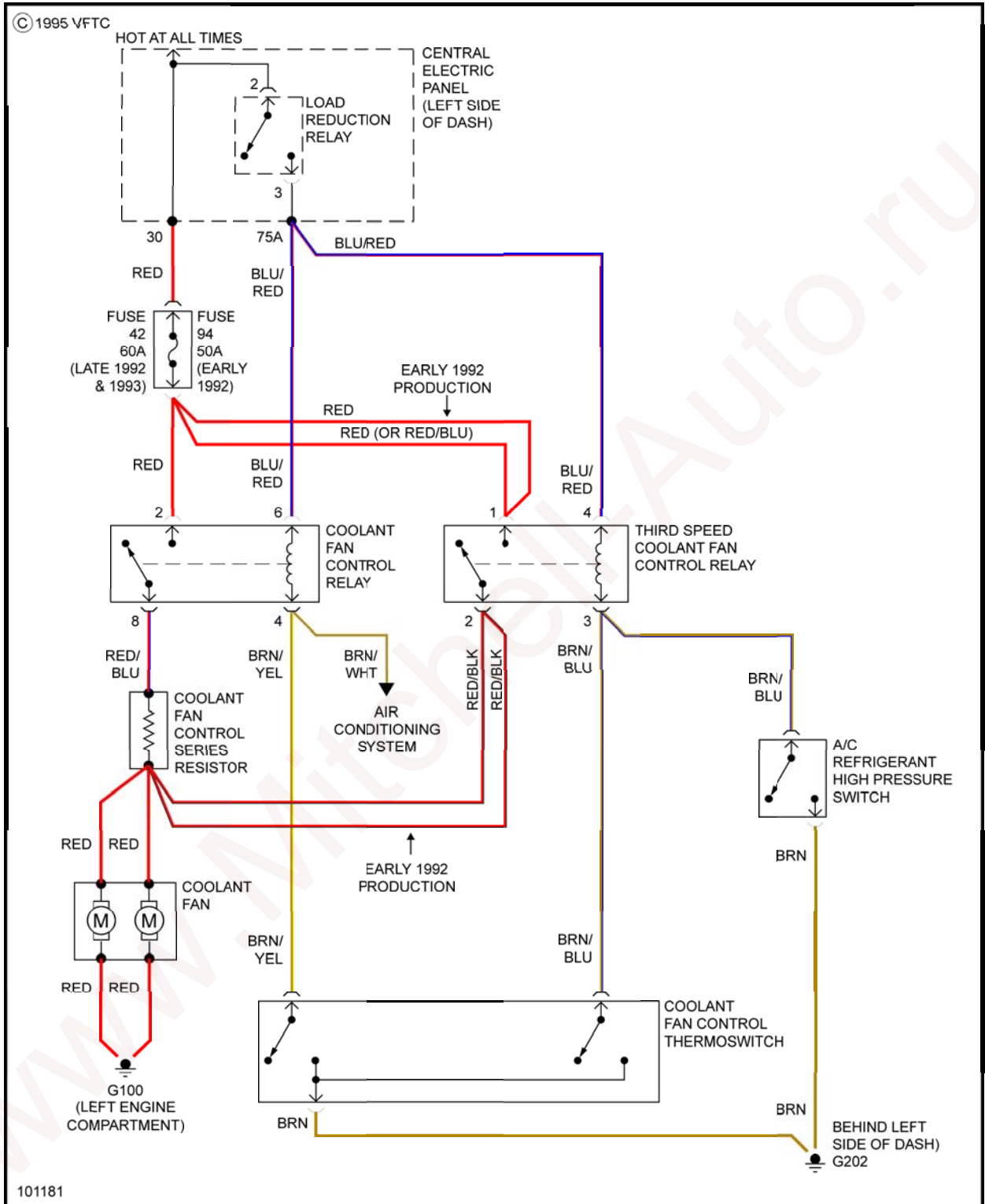


Fig. 4: Cooling Fan Circuit

DEFOGGERS

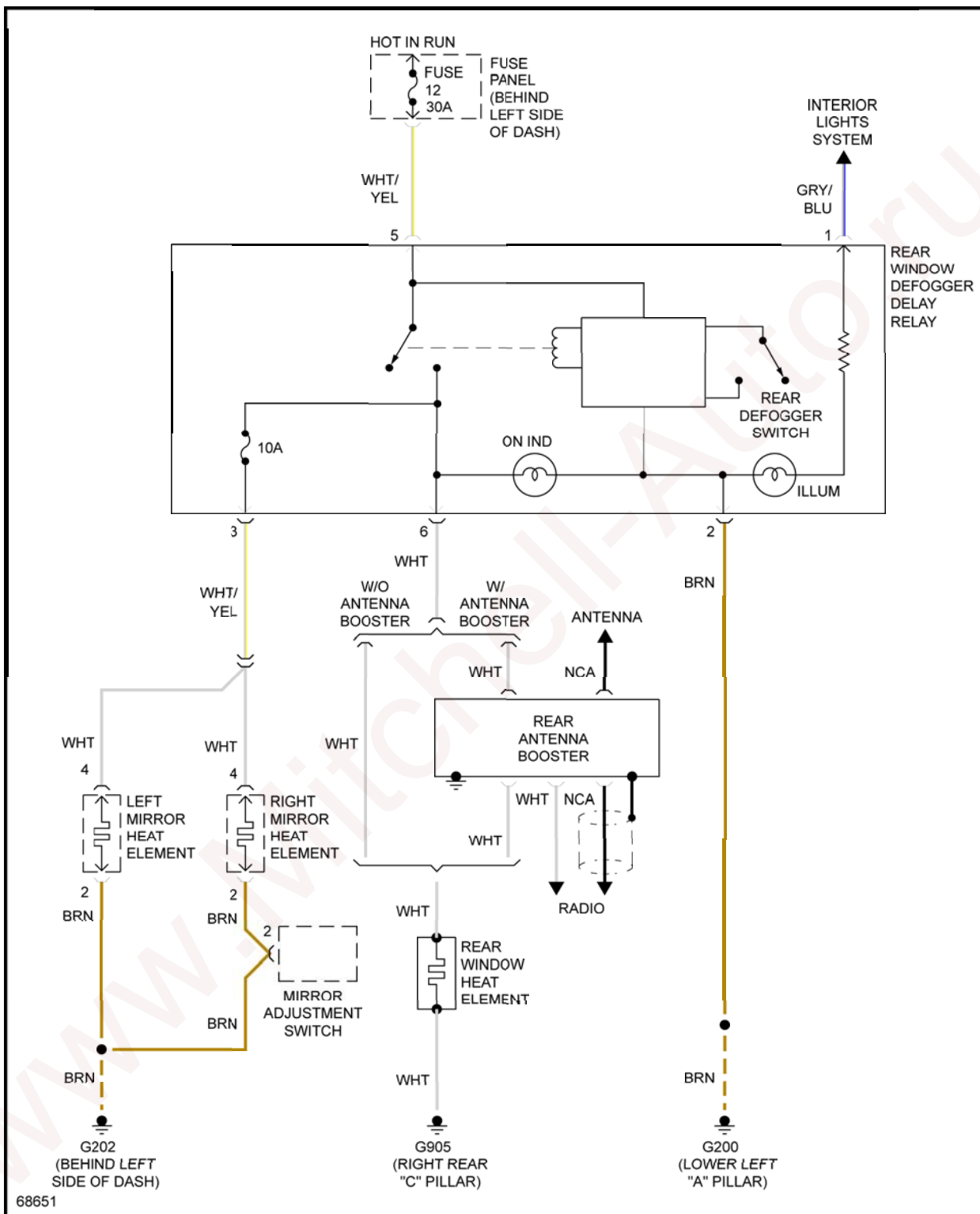


Fig. 5: Defogger Circuit

HORN

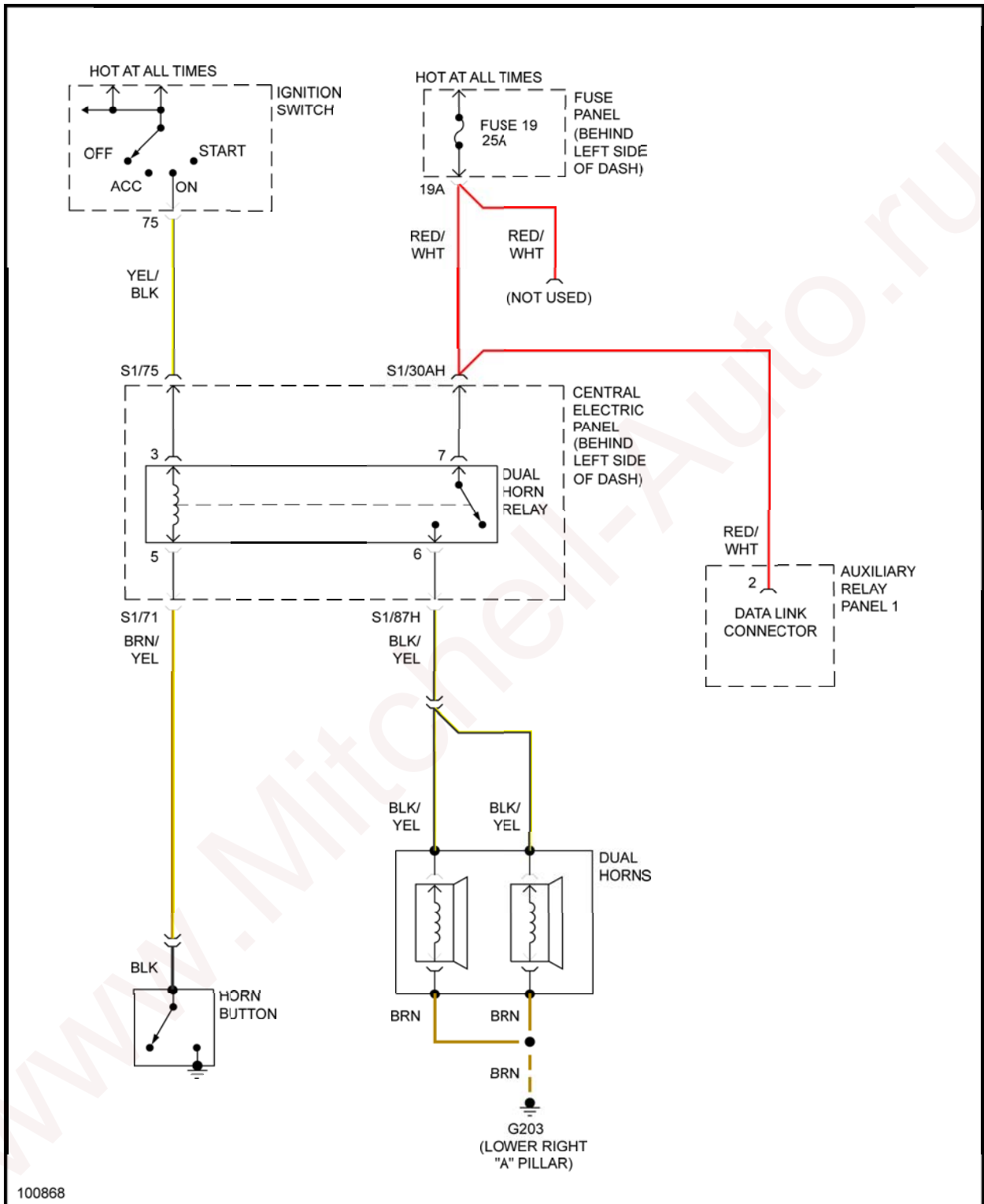


Fig. 6: Horn Circuit

MEMORY SYSTEMS

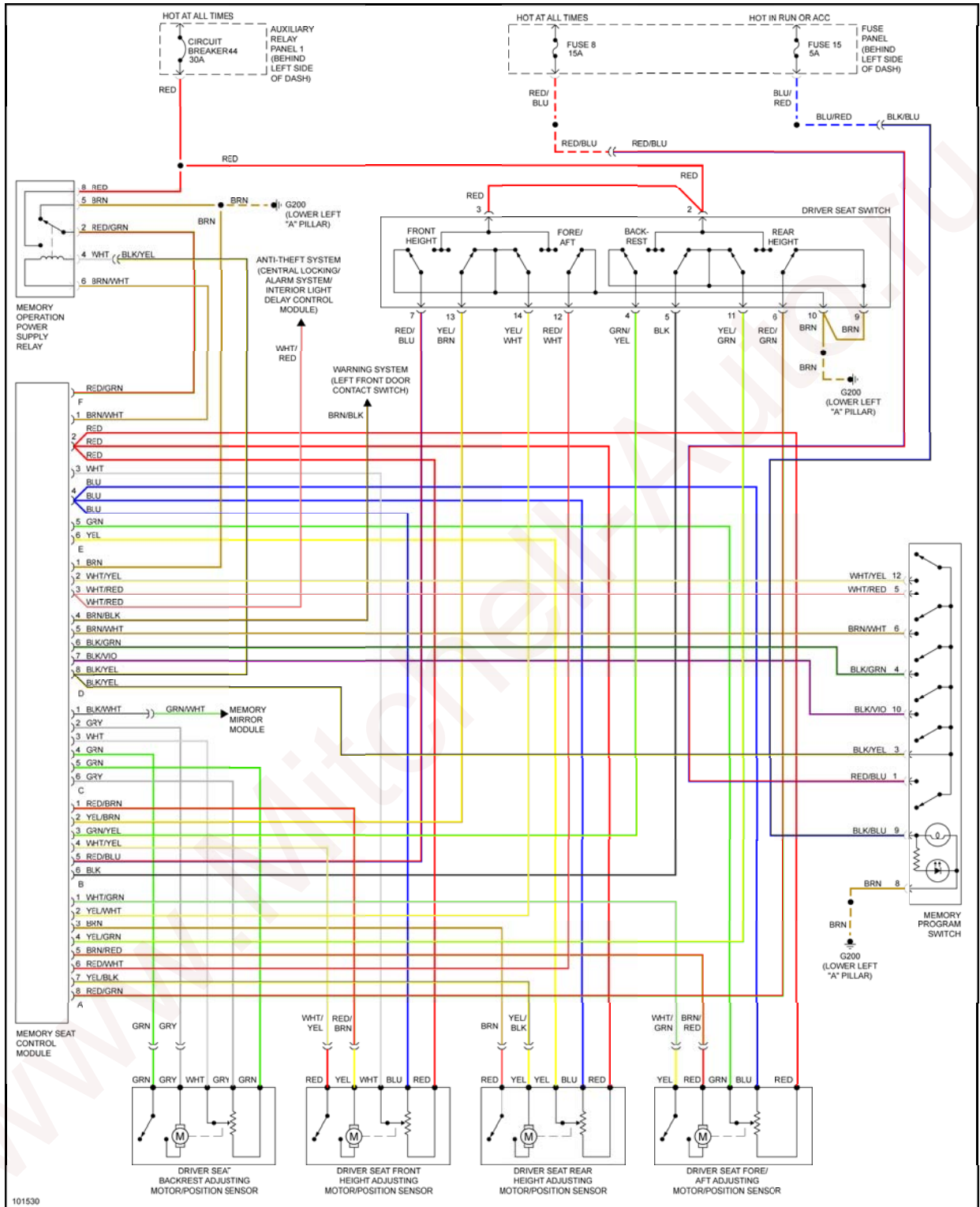


Fig. 7: Driver's Memory Seat Circuit

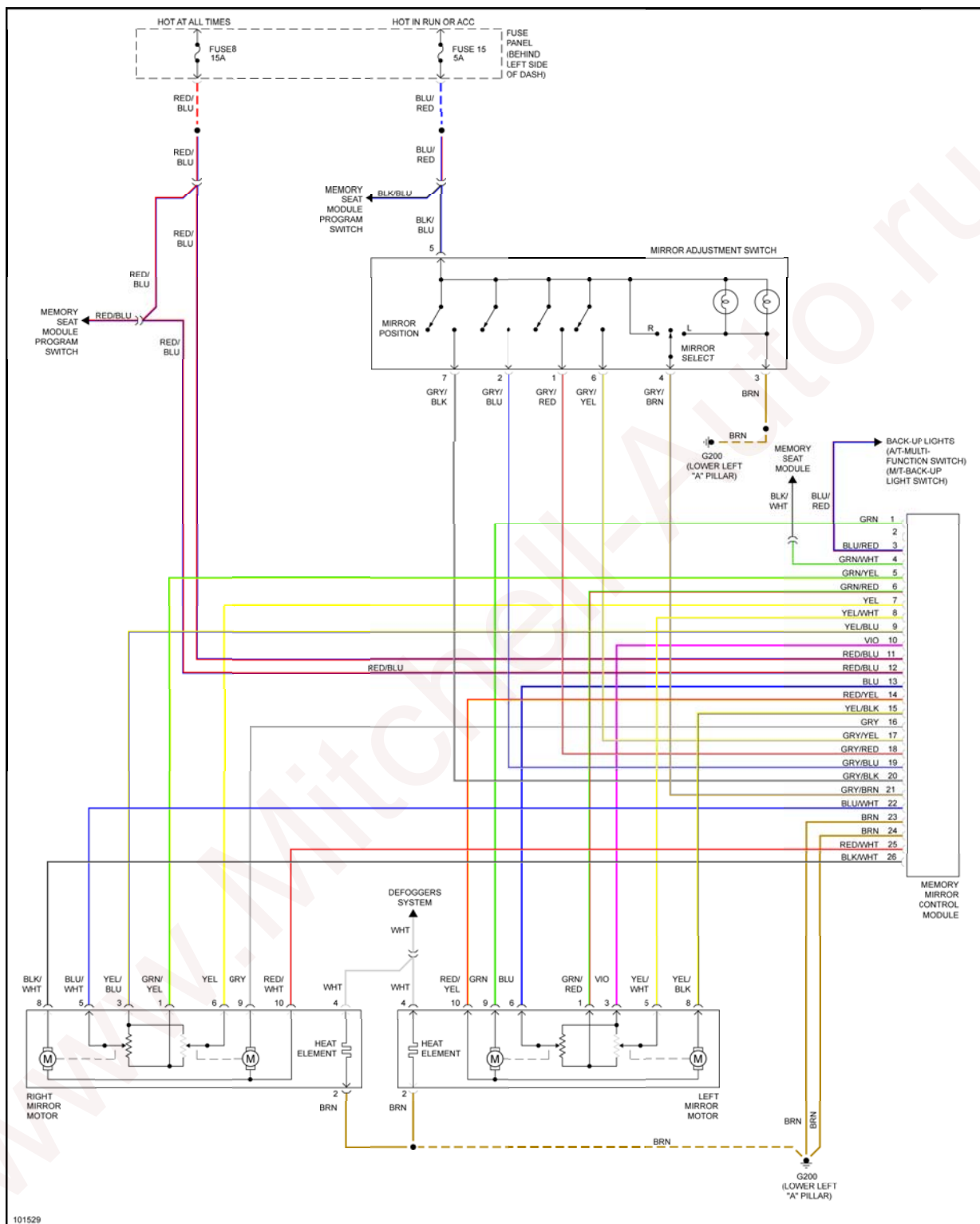


Fig. 8: Memory Mirrors Circuit

POWER DOOR LOCKS

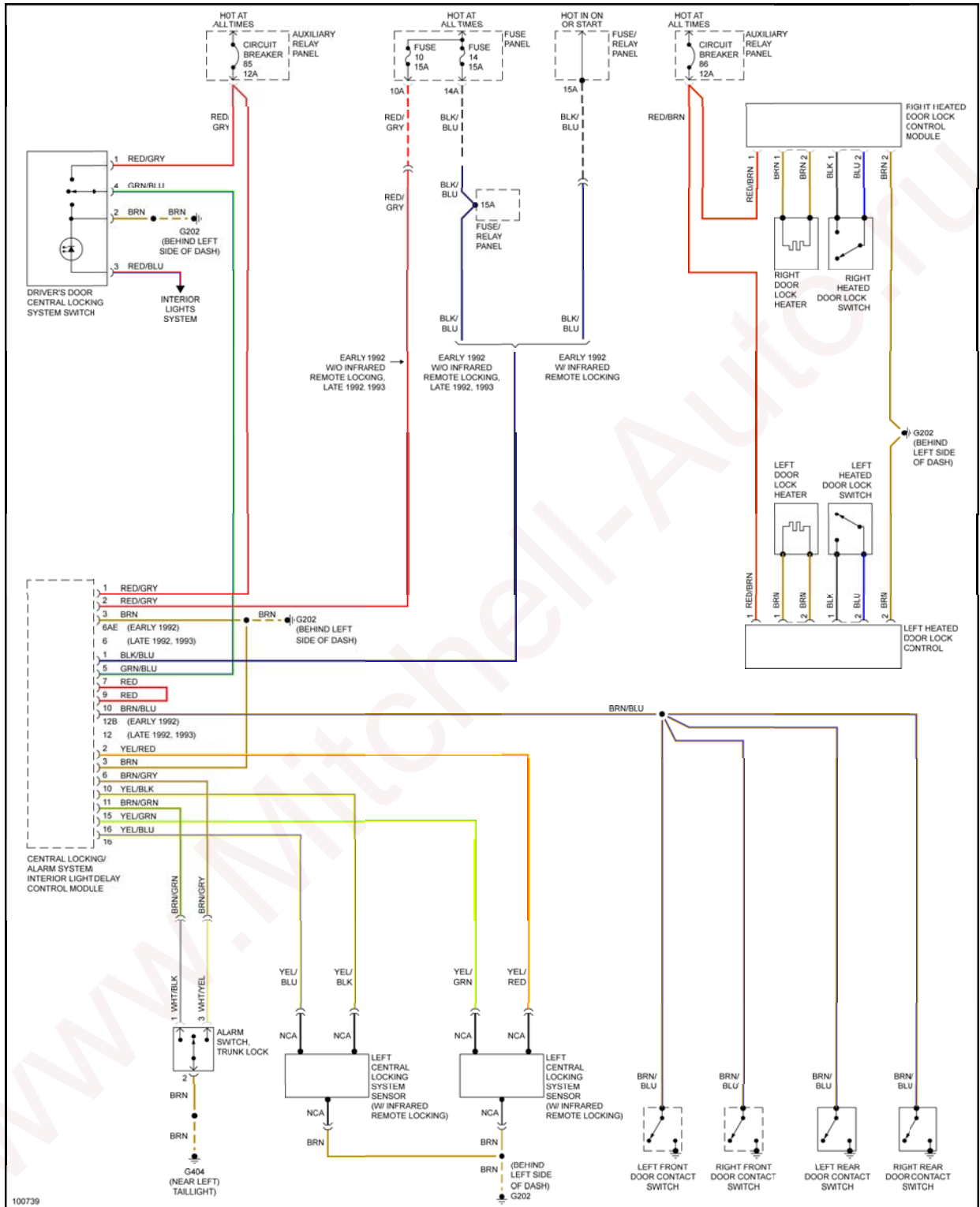


Fig. 9: Power Door Locks Circuit

POWER MIRRORS

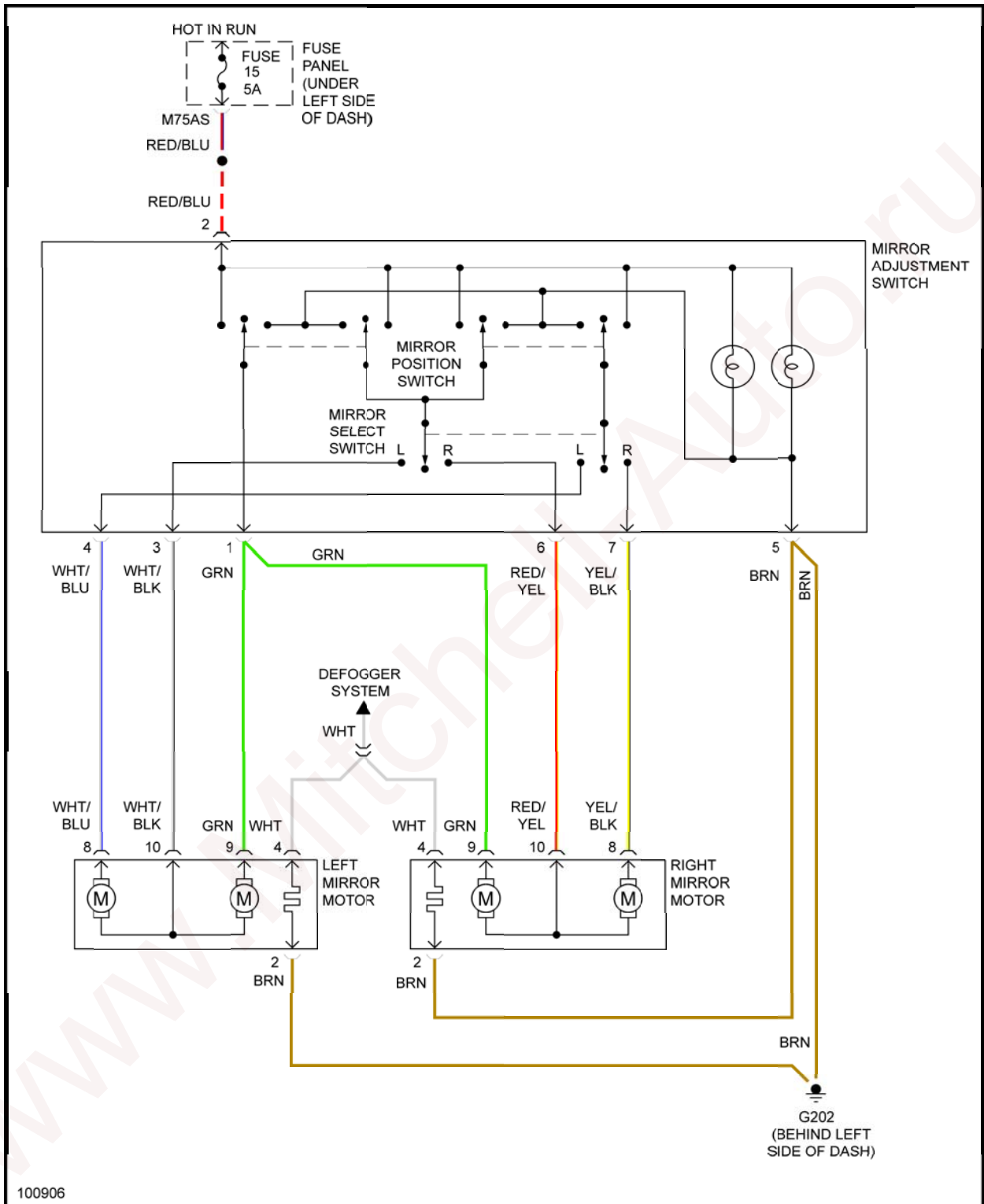


Fig. 10: Power Mirrors Circuit

POWER SEATS

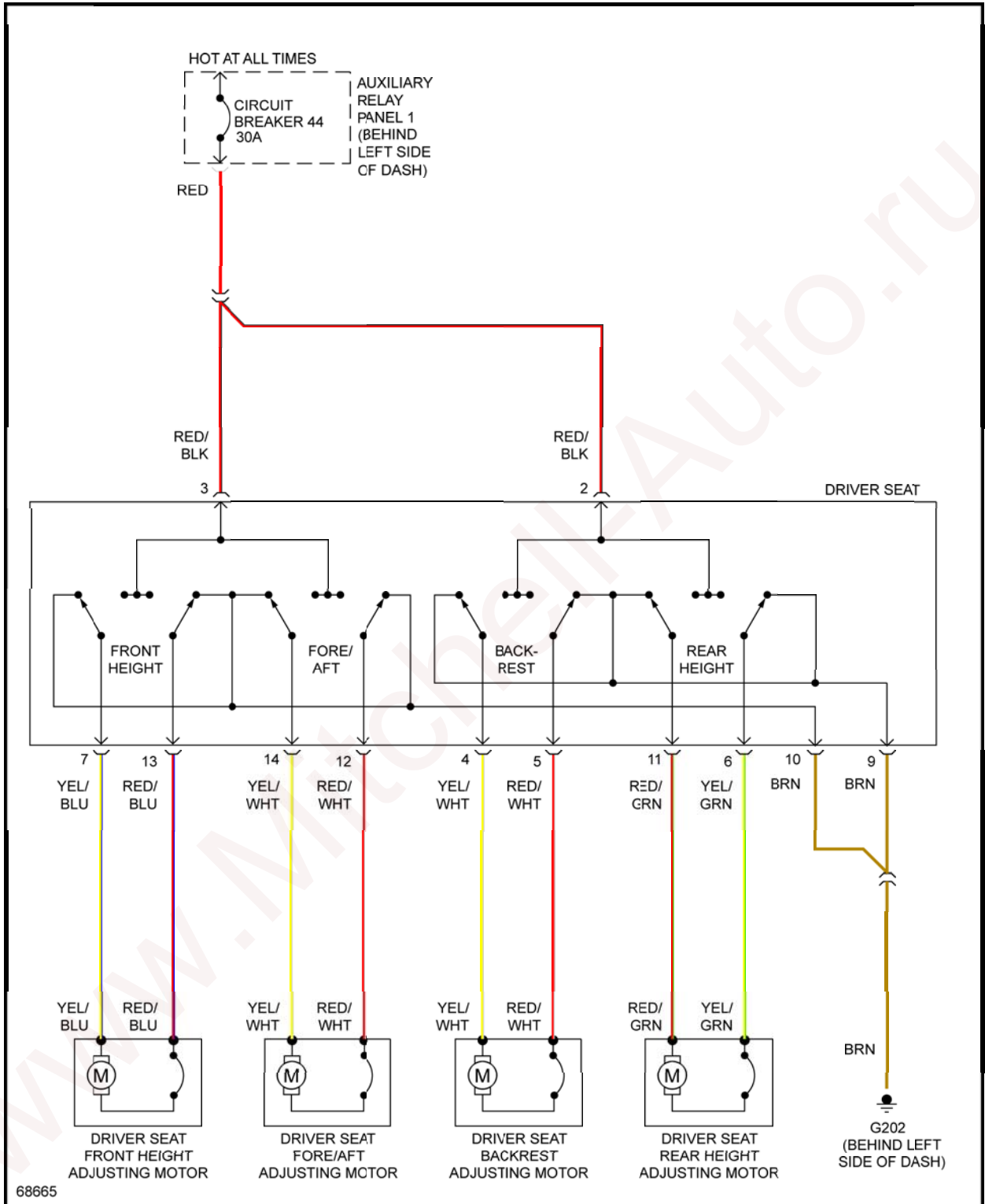


Fig. 11: Driver Seat Circuit, W/O Memory

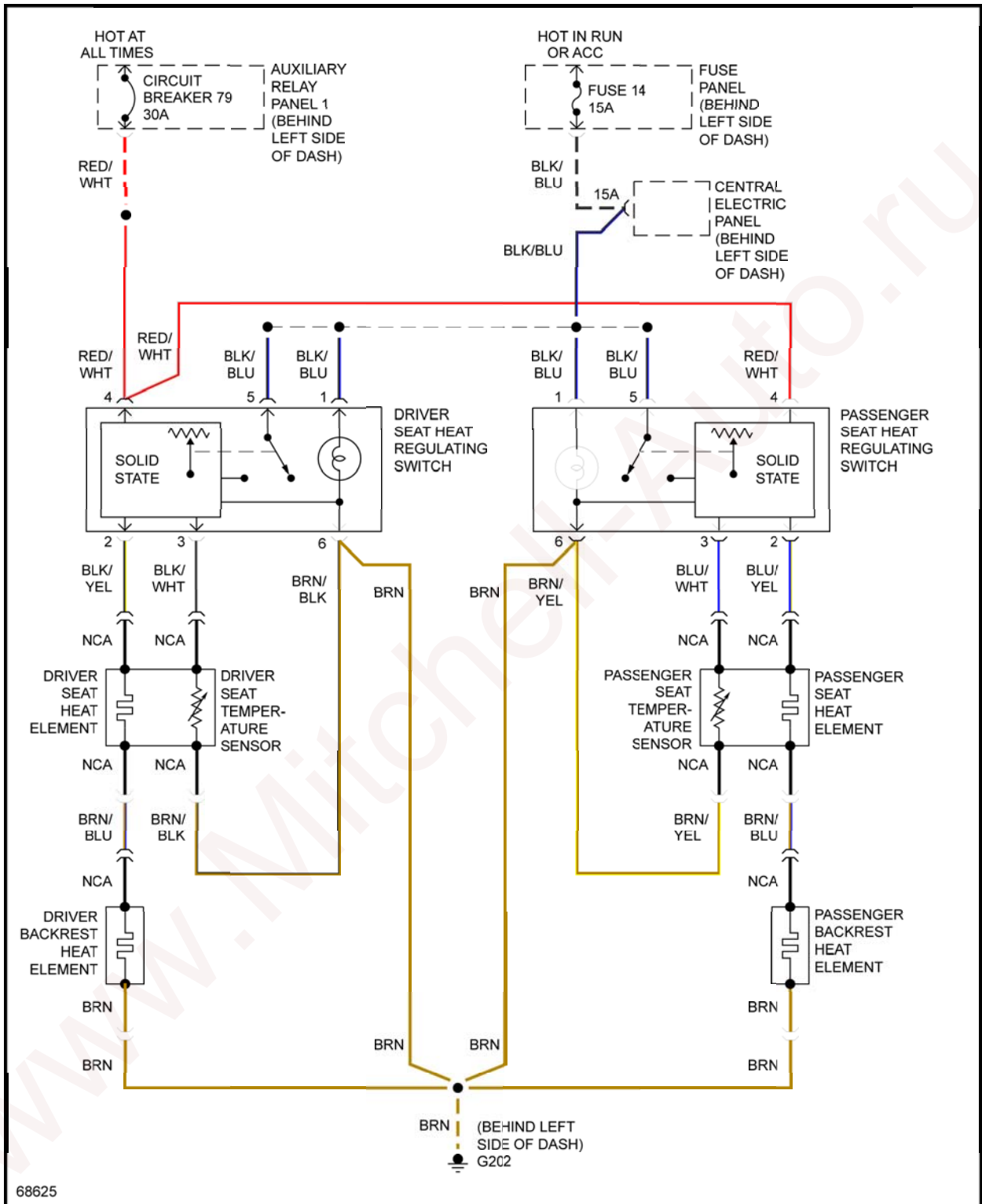


Fig. 12: Heated Seats Circuit

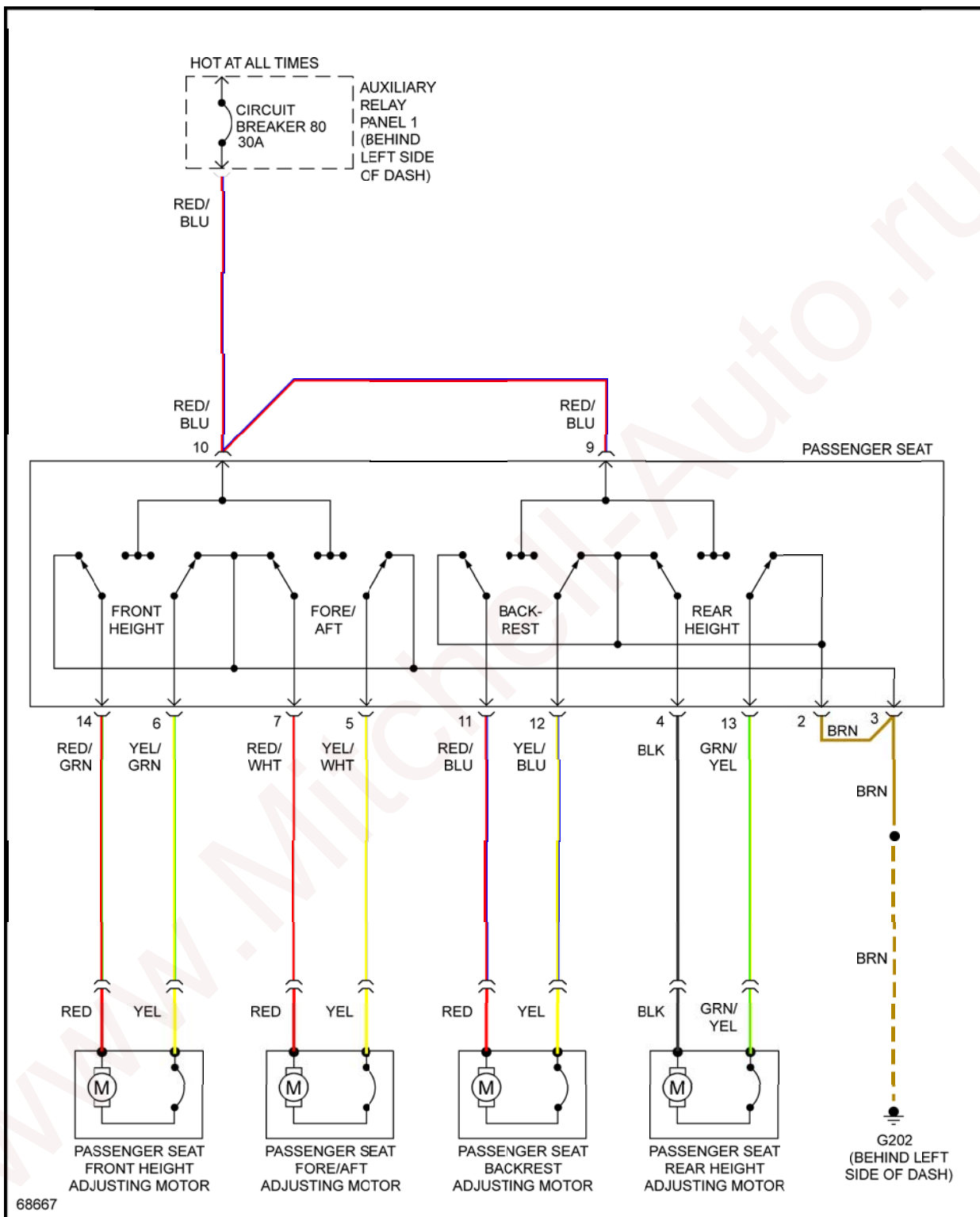


Fig. 13: Passenger Seat Circuit, W/ Driver Memory Seat

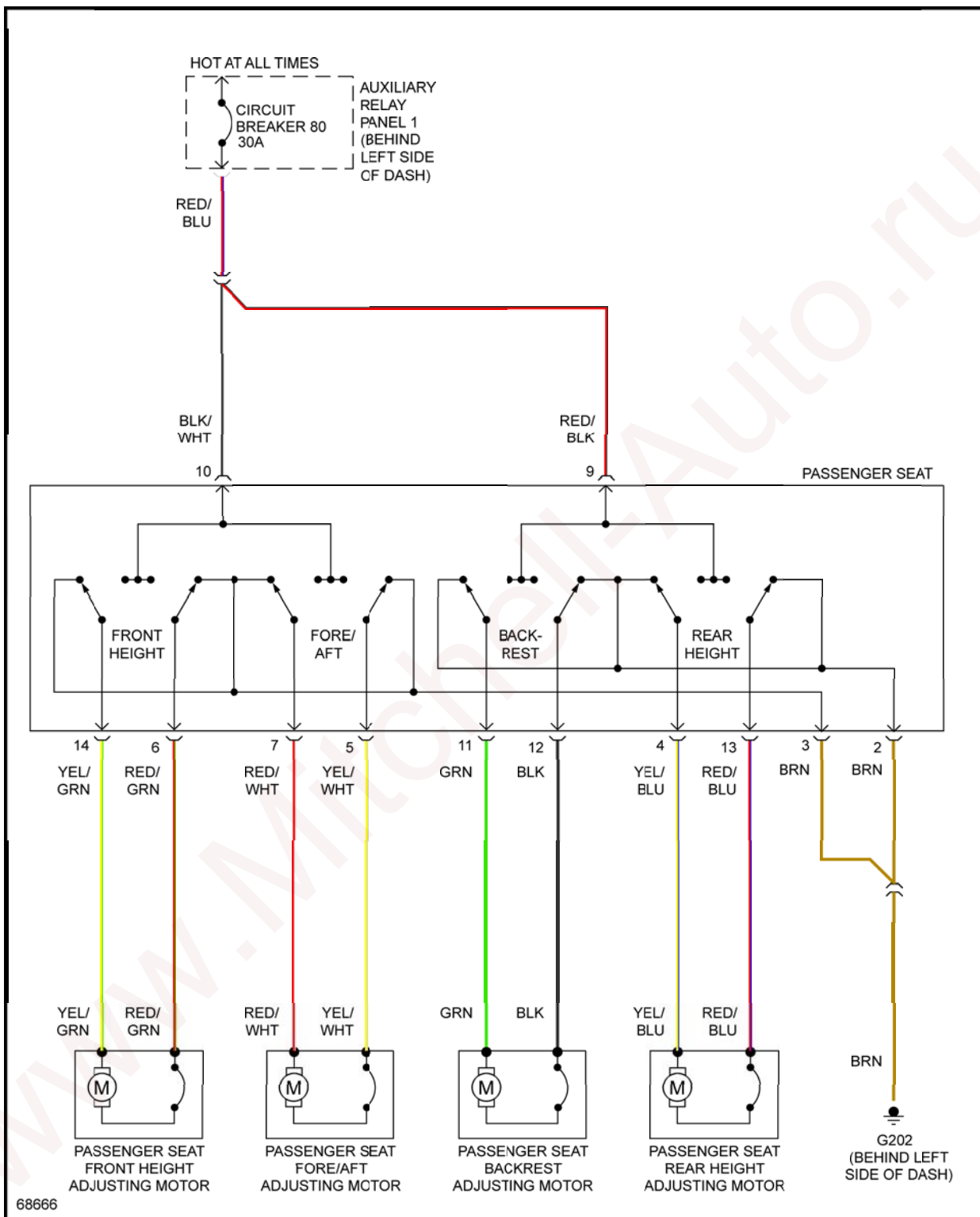


Fig. 14: Passenger Seat Circuit, W/O Driver Memory Seat

POWER WINDOWS

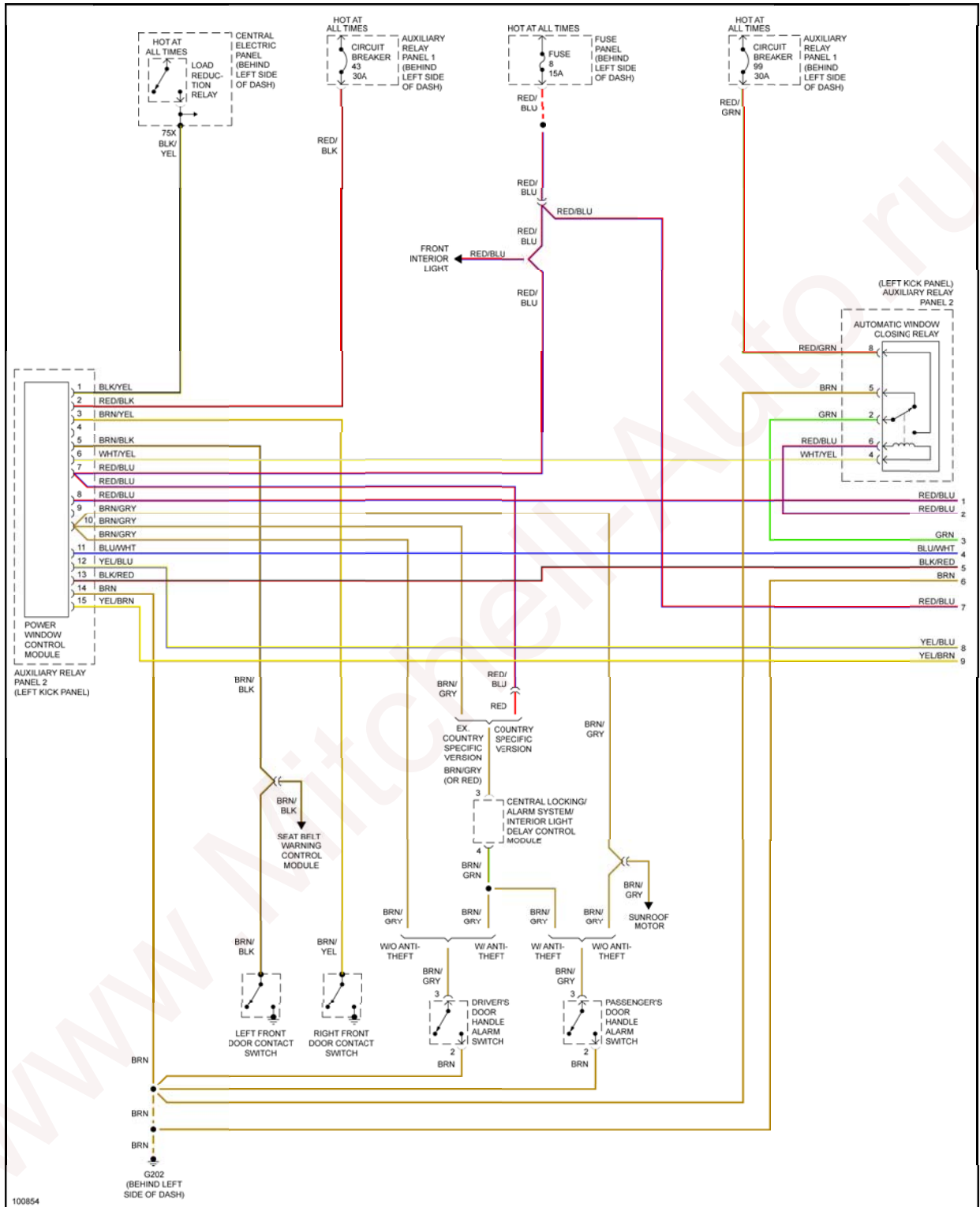


Fig. 15: Power Windows Circuit (1 of 2)

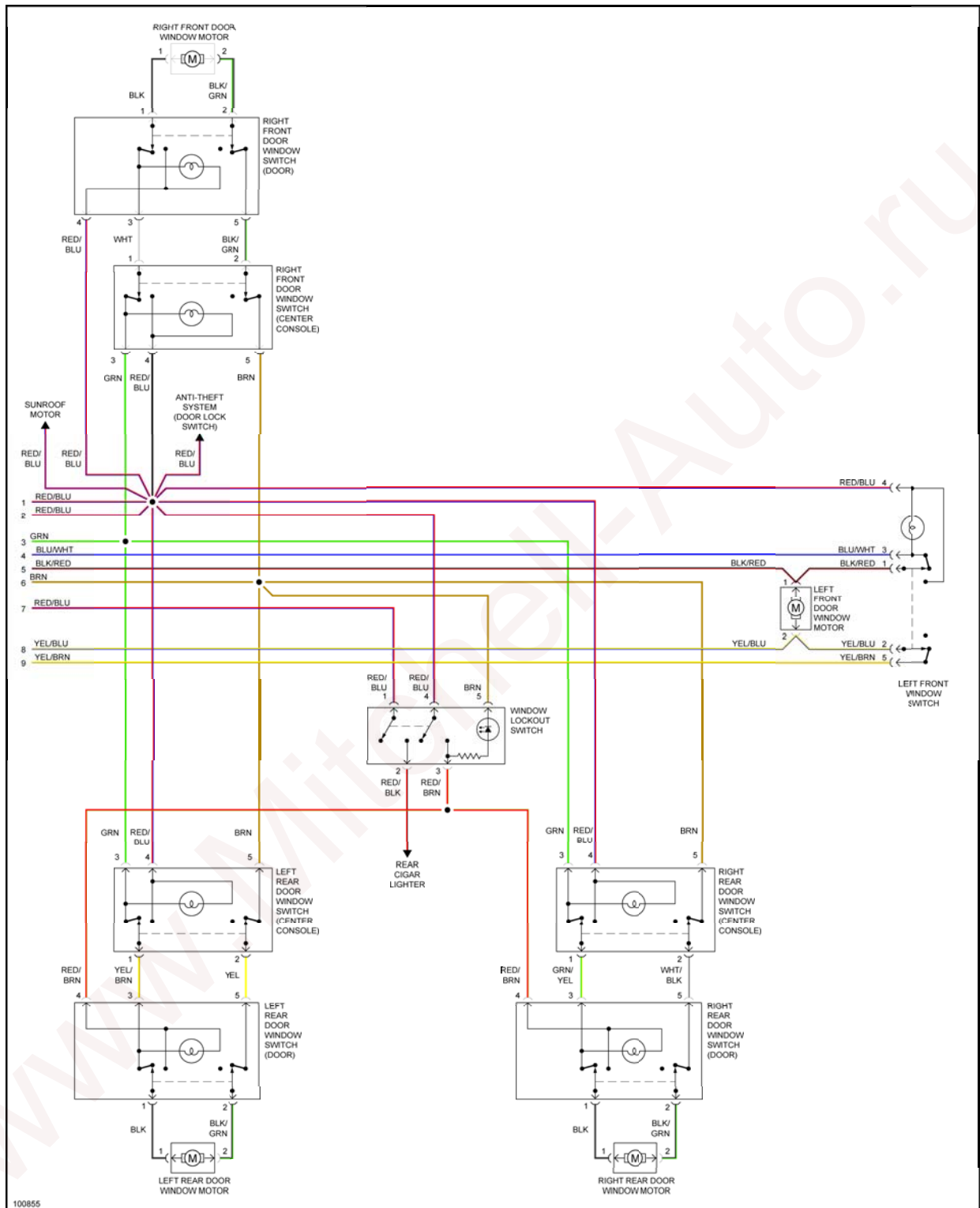


Fig. 16: Power Windows Circuit (2 of 2)

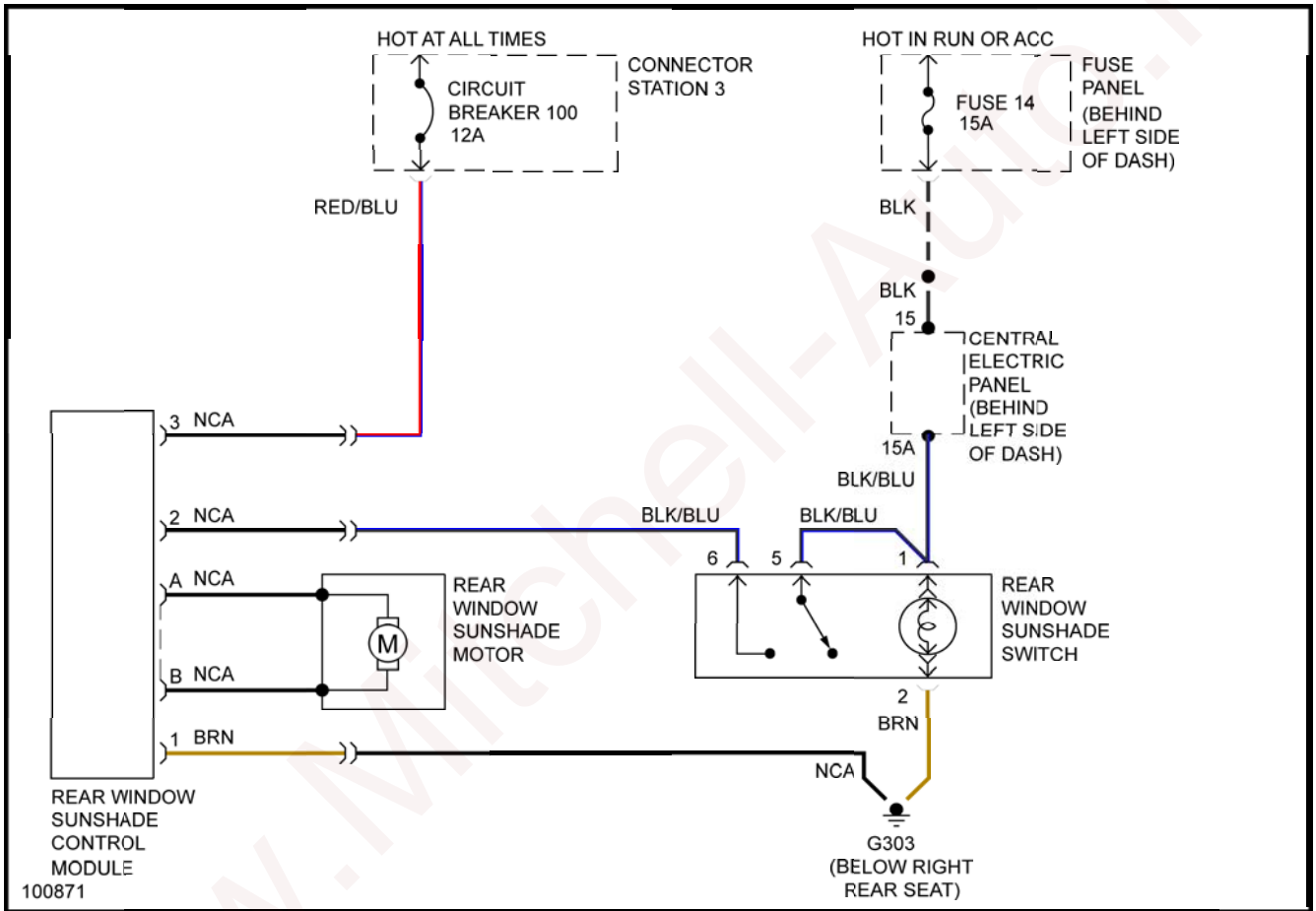


Fig. 17: Rear Window Sun Shade Circuit

RADIO

1993 Audi 100

SYSTEM WIRING DIAGRAMS Audi - 100

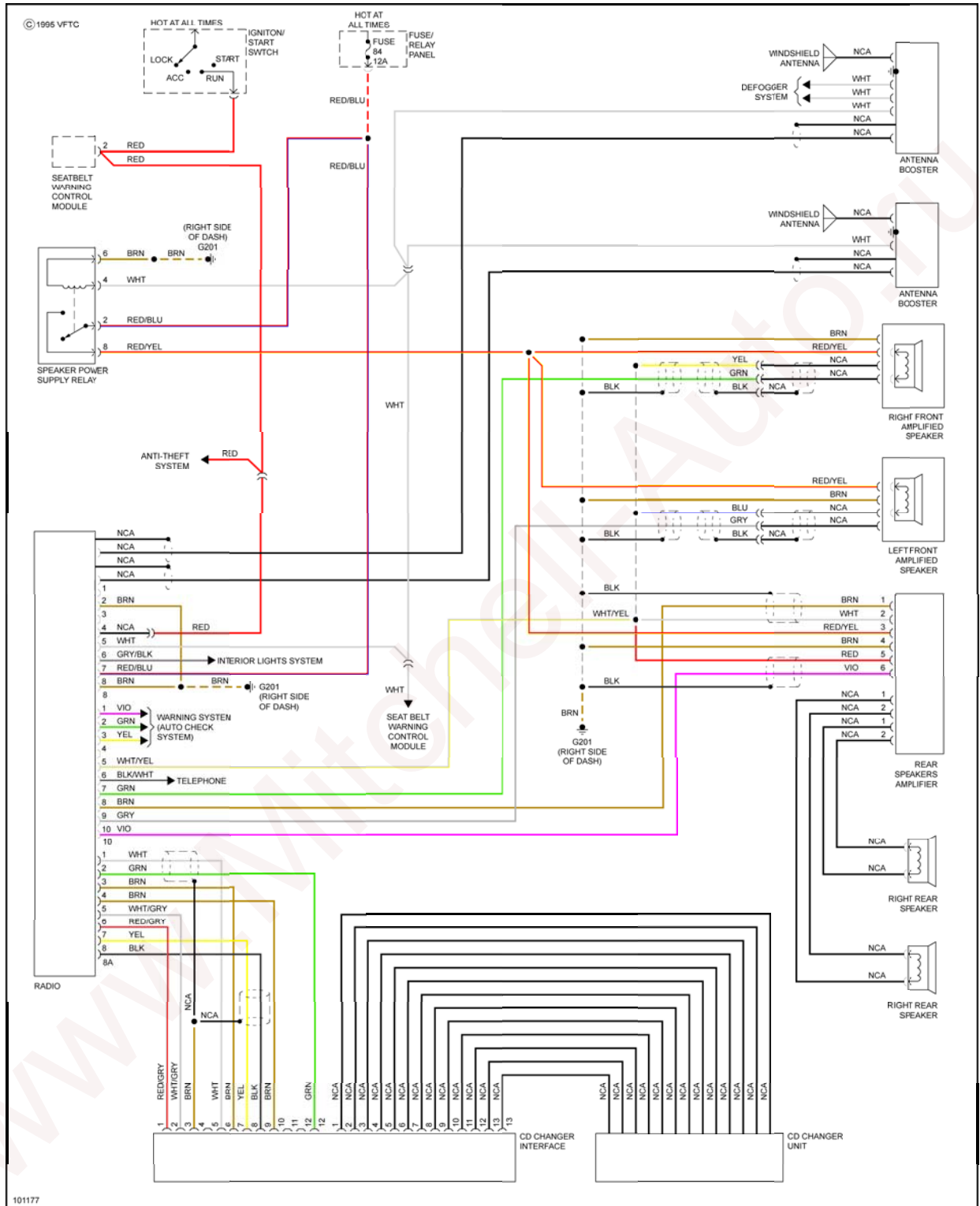


Fig. 18: Radio Circuit, W/ CD Player

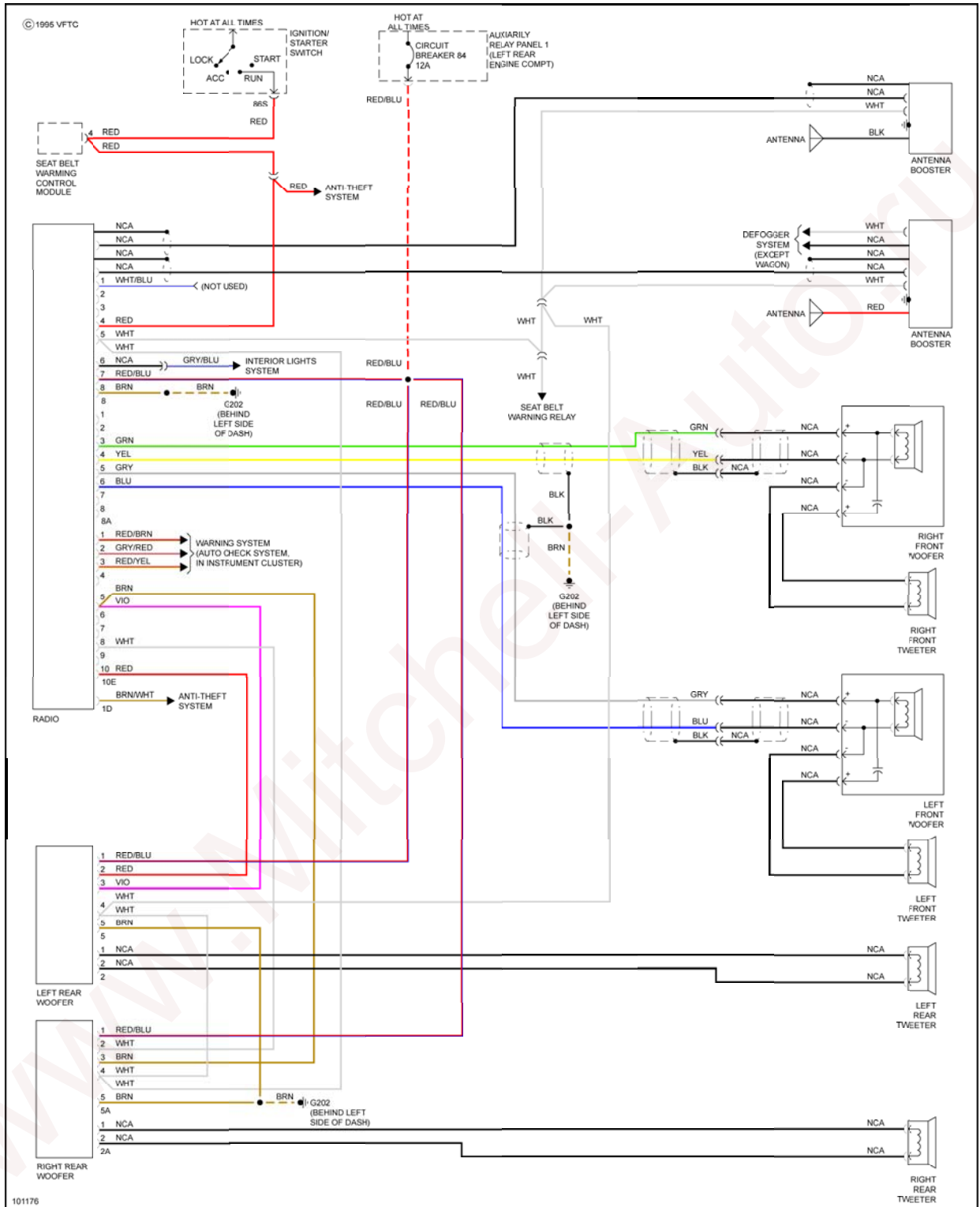


Fig. 19: Radio Circuit, W/O CD Player

STARTING/CHARGING

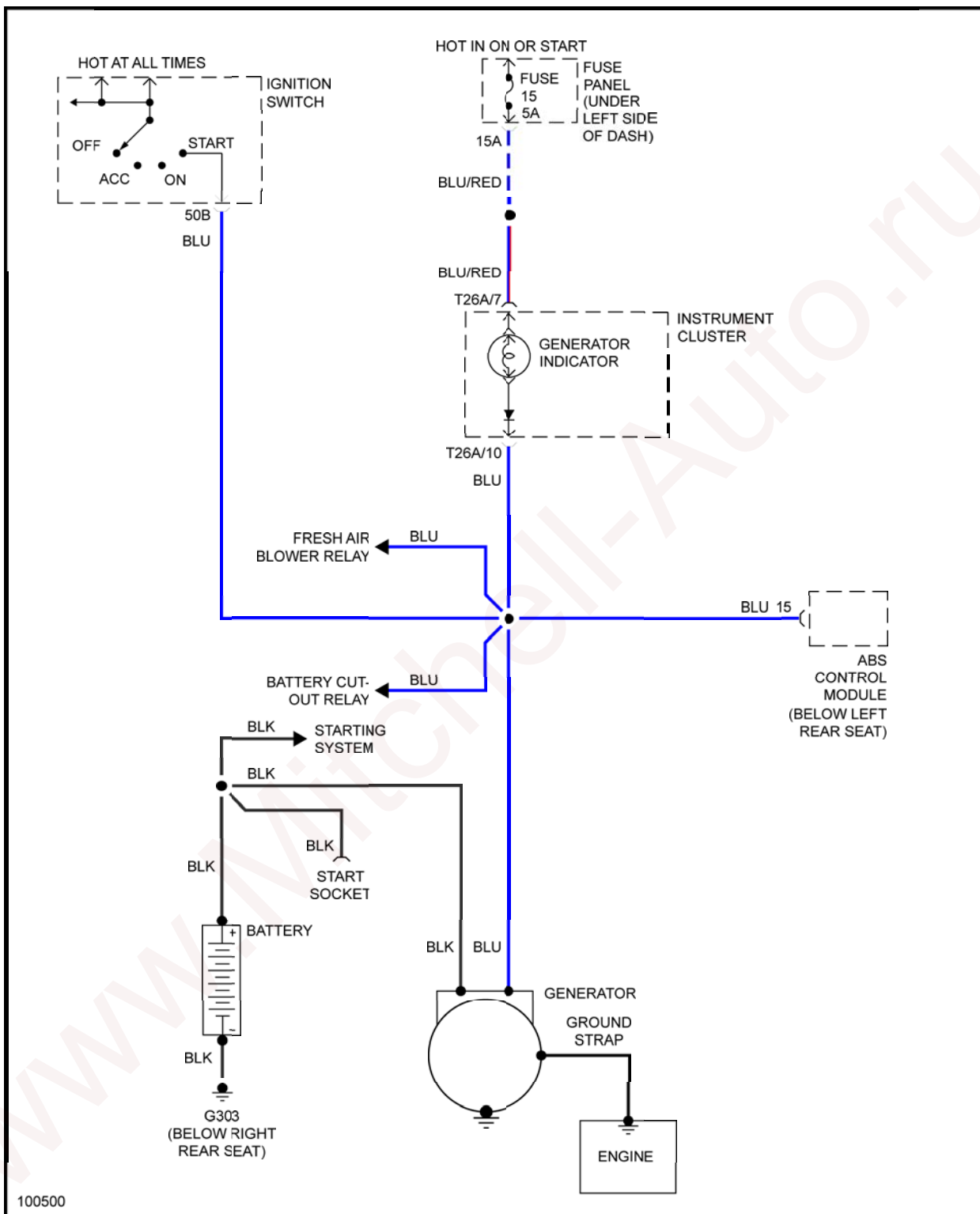


Fig. 20: Charging Circuit

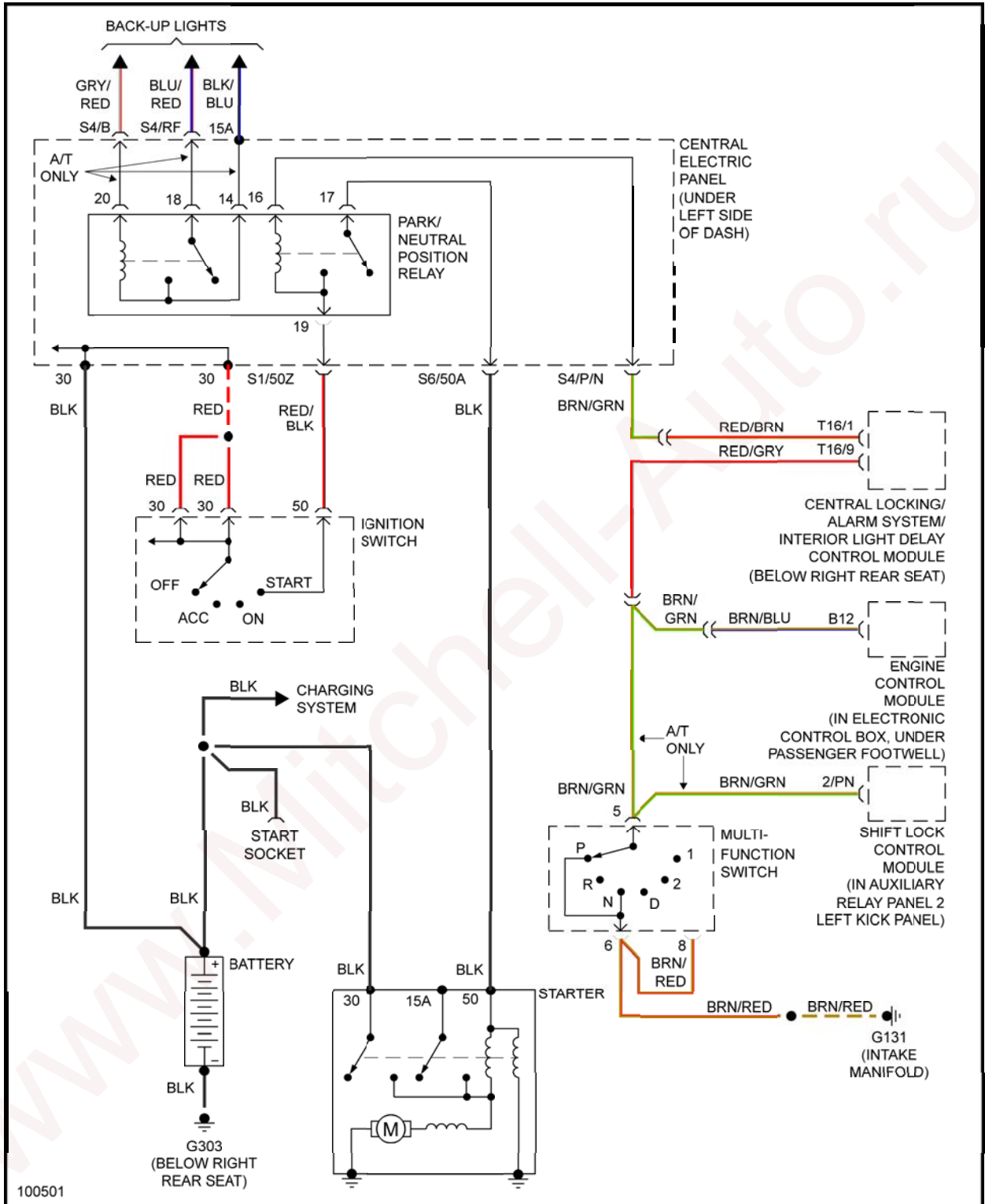


Fig. 21: Starting Circuit

TRANSMISSION

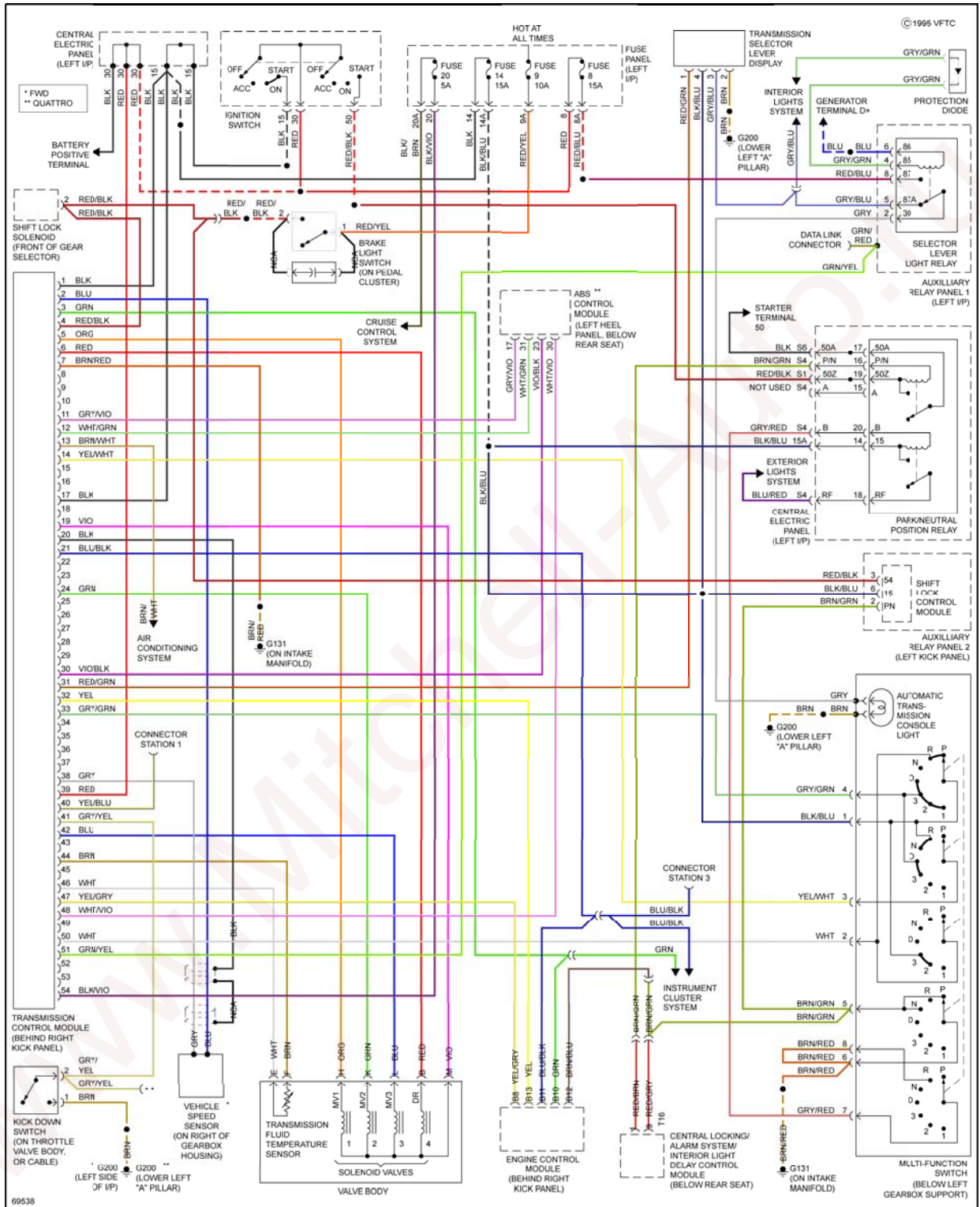


Fig. 22: A/T Circuit

TRUNK, TAILGATE, FUEL DOOR

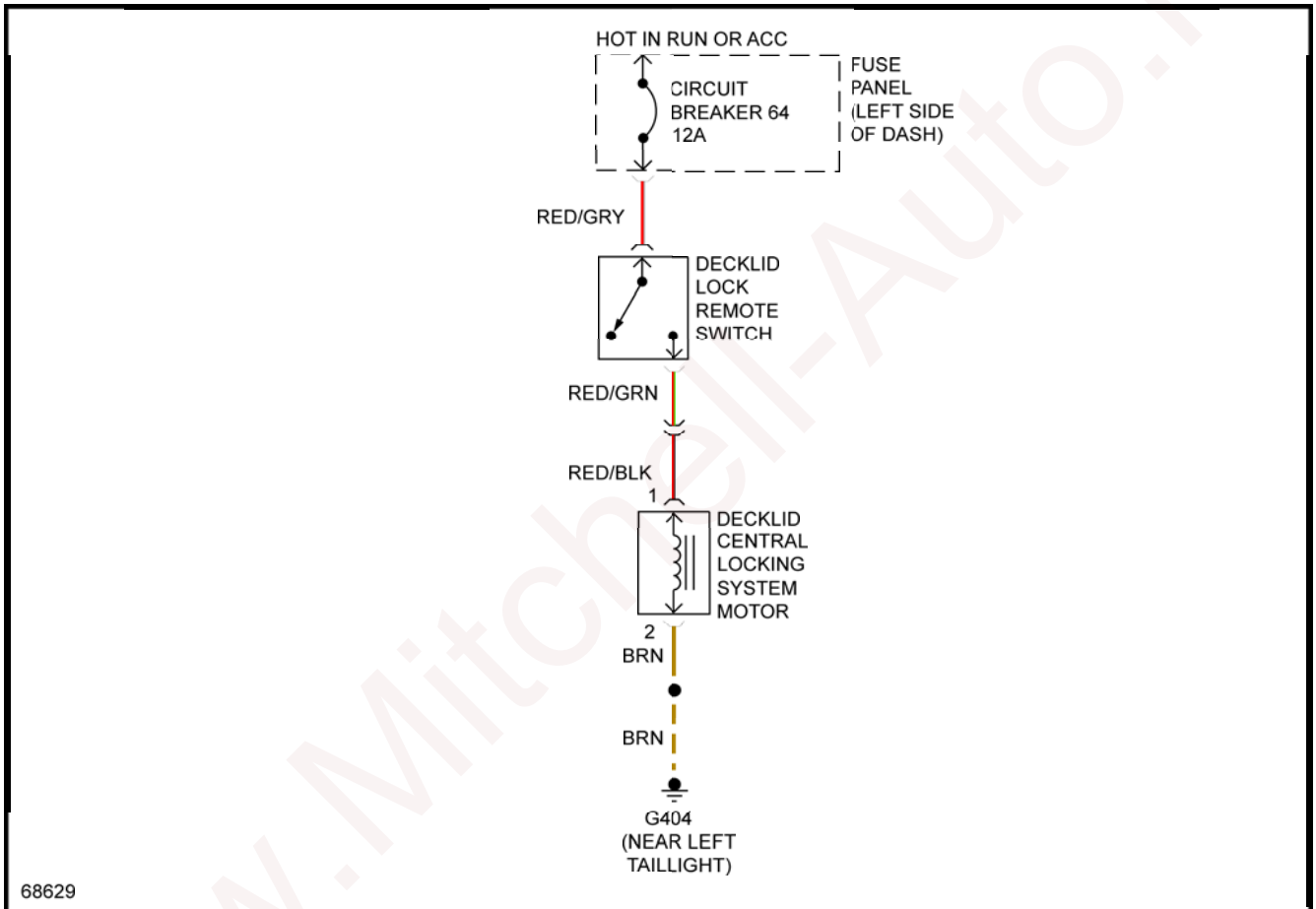


Fig. 23: Trunk, Tailgate, Fuel Door Circuit

WIPER/WASHER

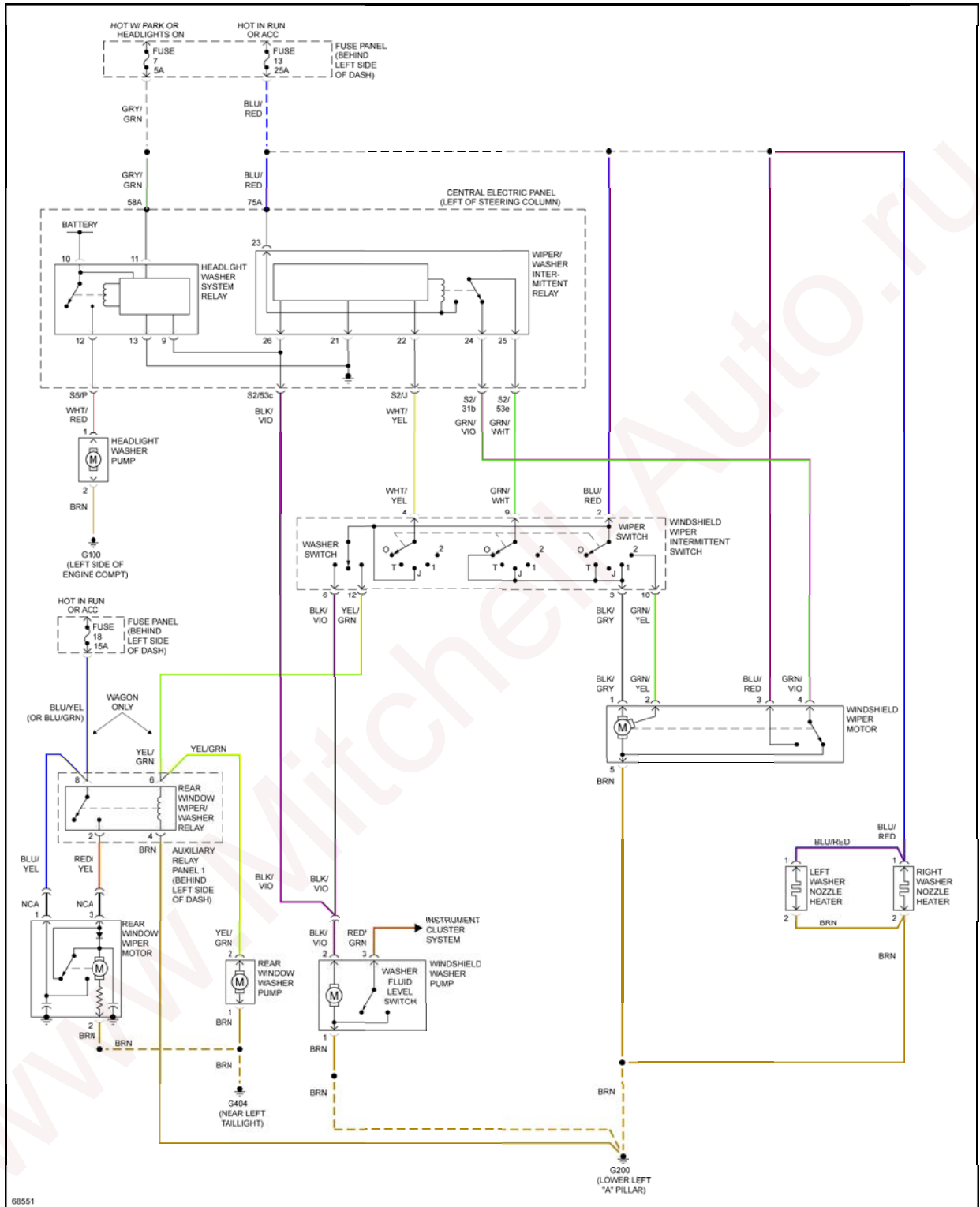


Fig. 24: Wiper/Washer Circuit